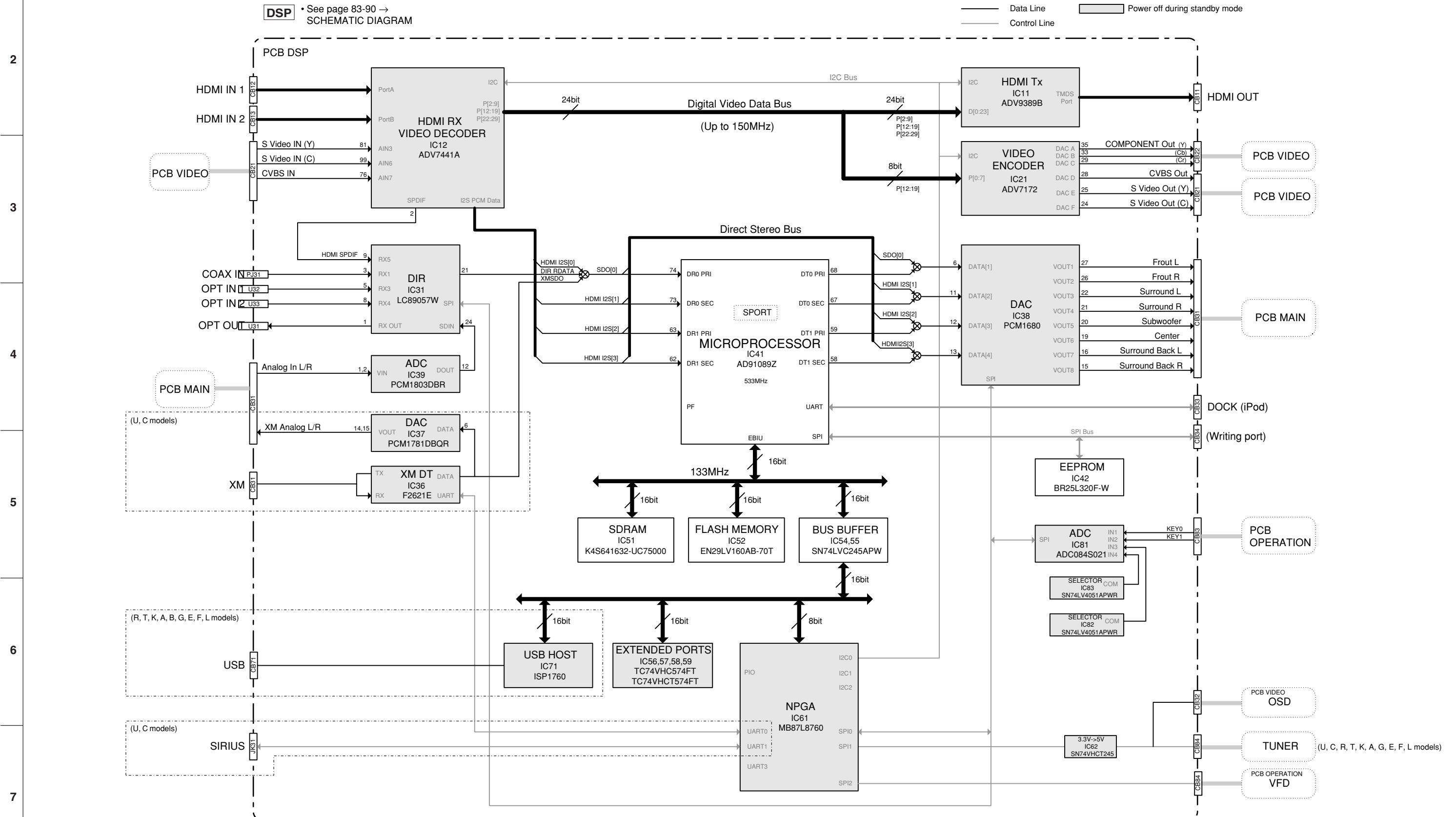
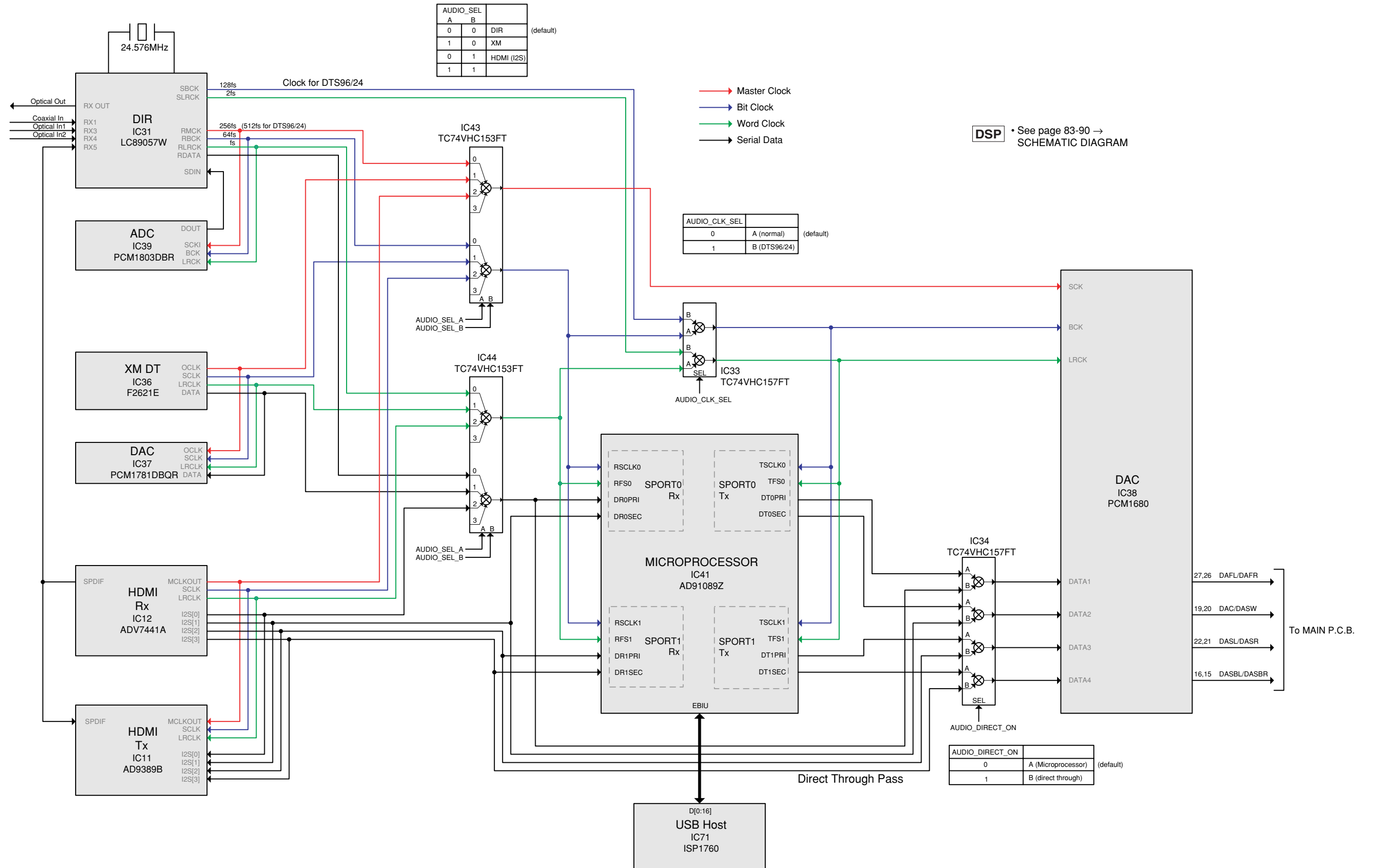


1 ■ BLOCK DIAGRAMS

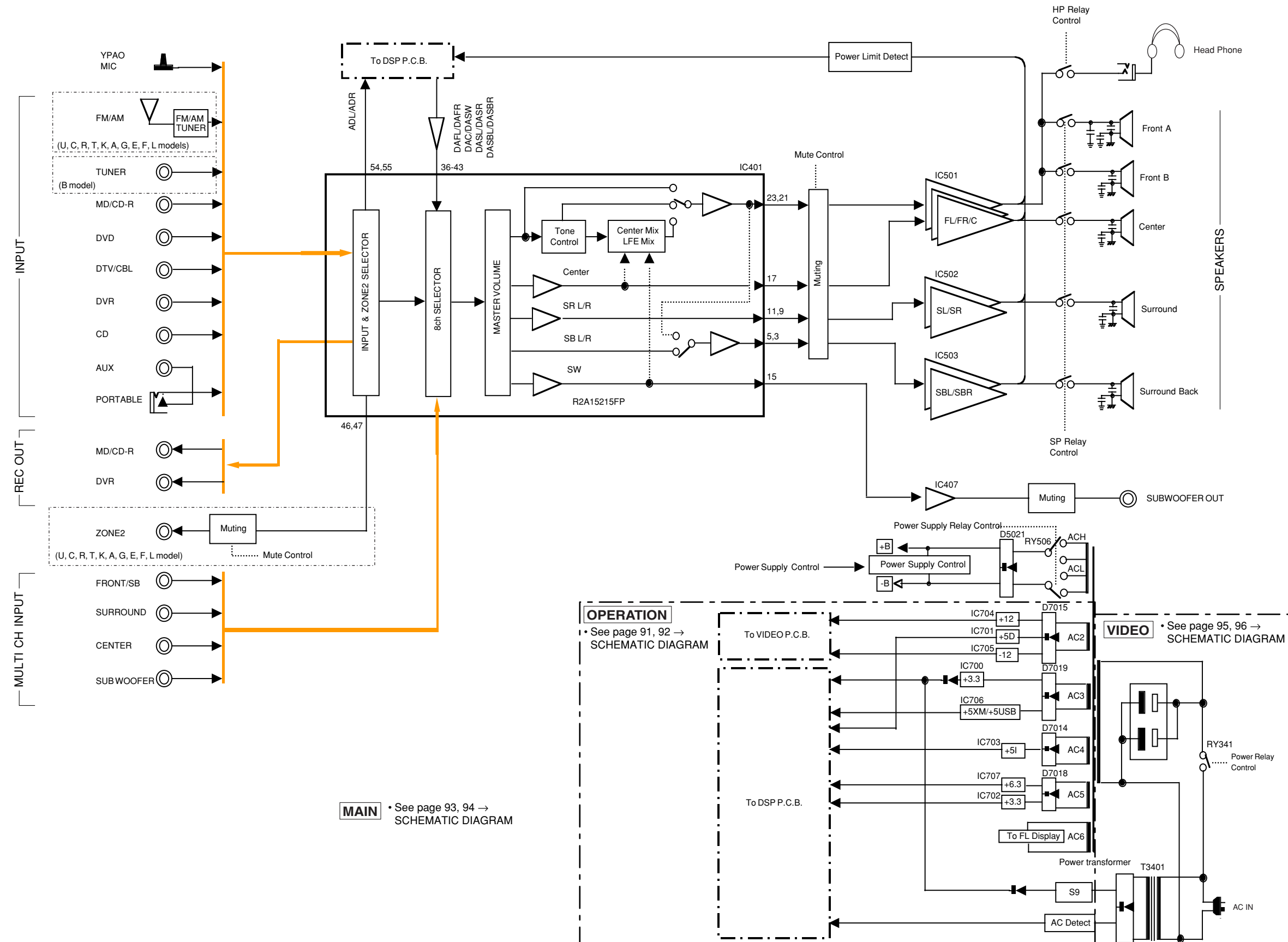
AUDIO (DIGITAL) SECTION BLOCK DIAGRAM



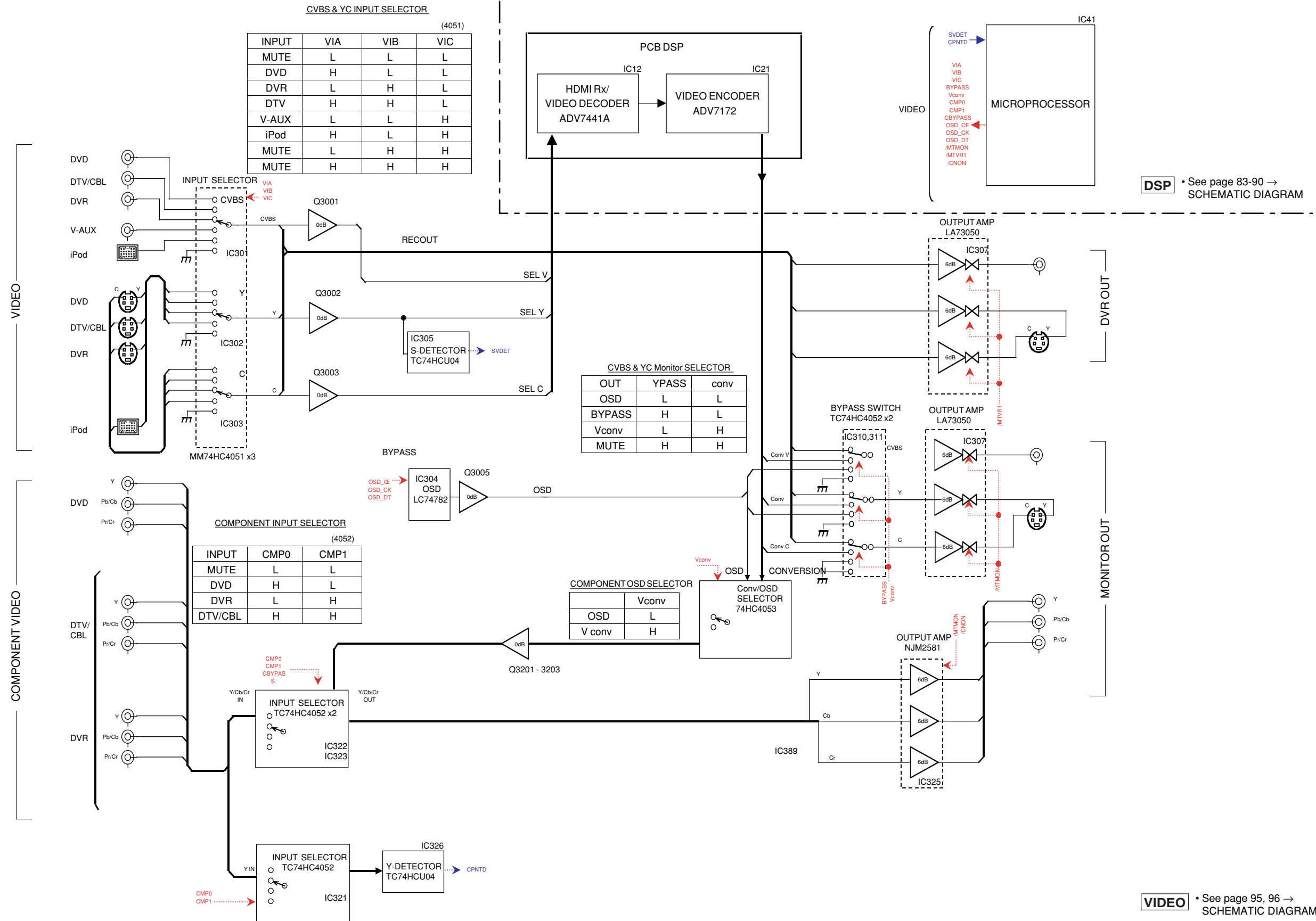
DSP CONTROL SECTION BLOCK DIAGRAM



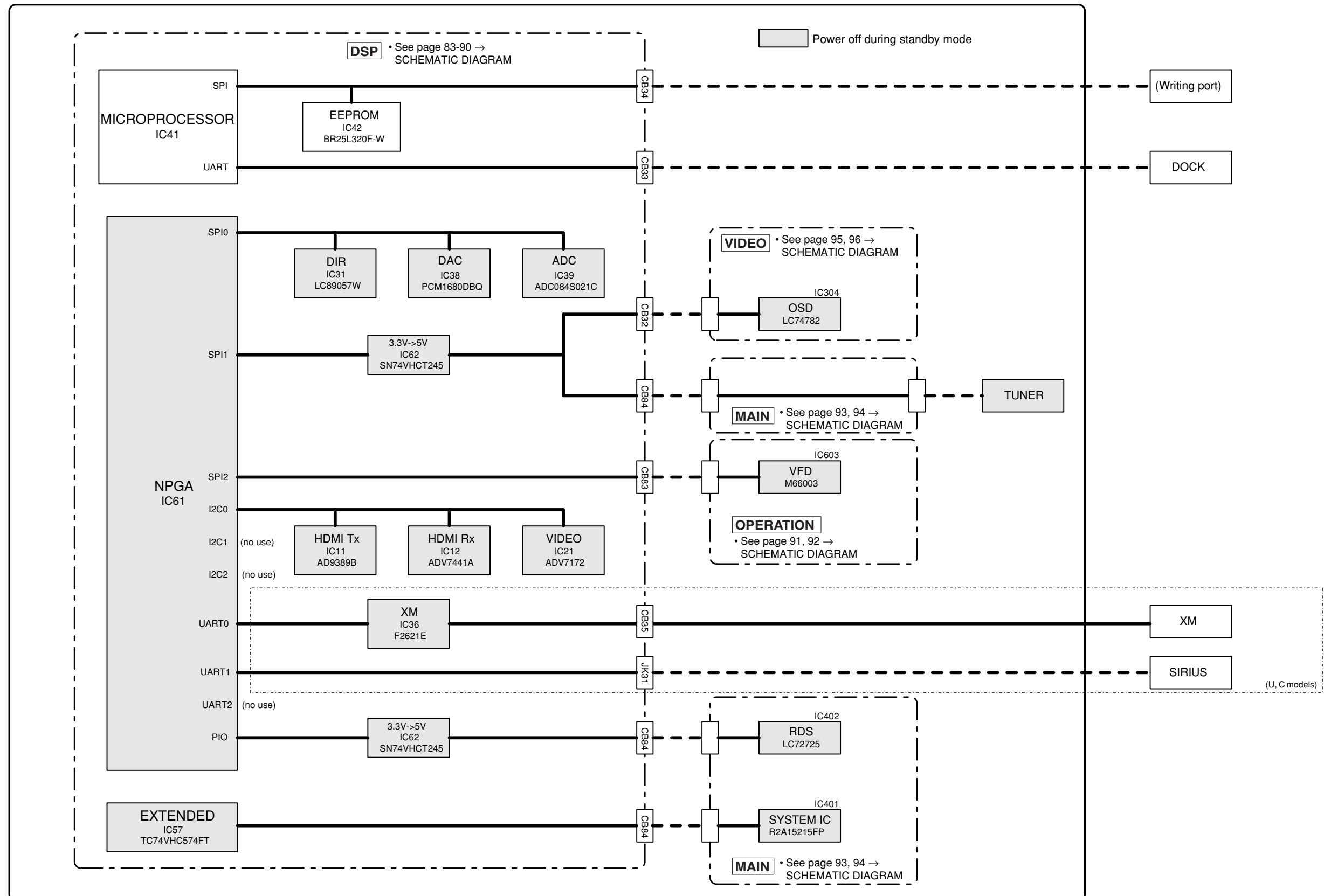
### AUDIO (ANALOG) / POWER SUPPLY SECTION BLOCK DIAGRAM

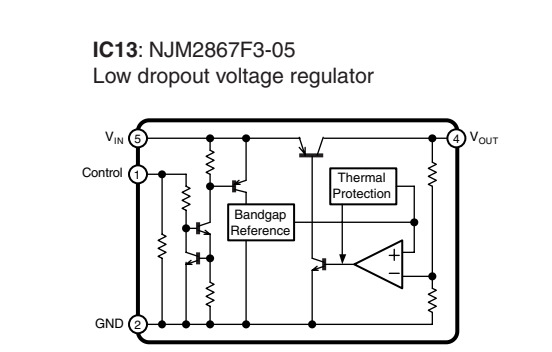
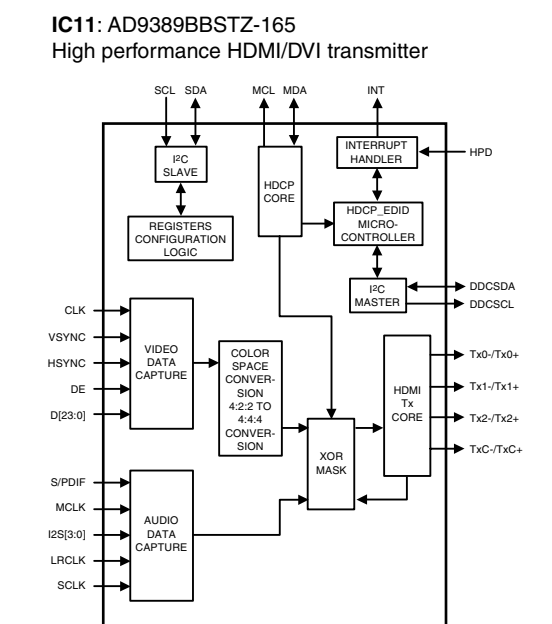
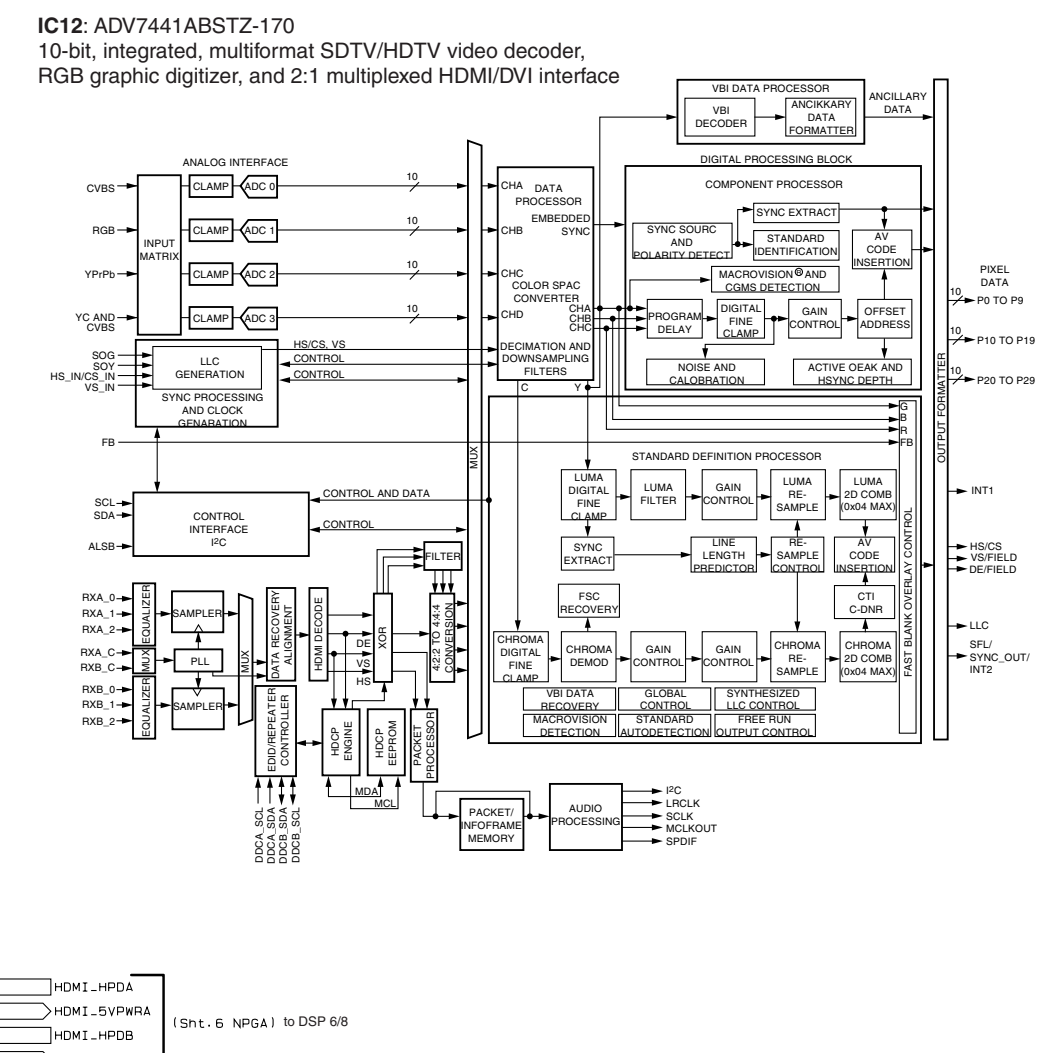
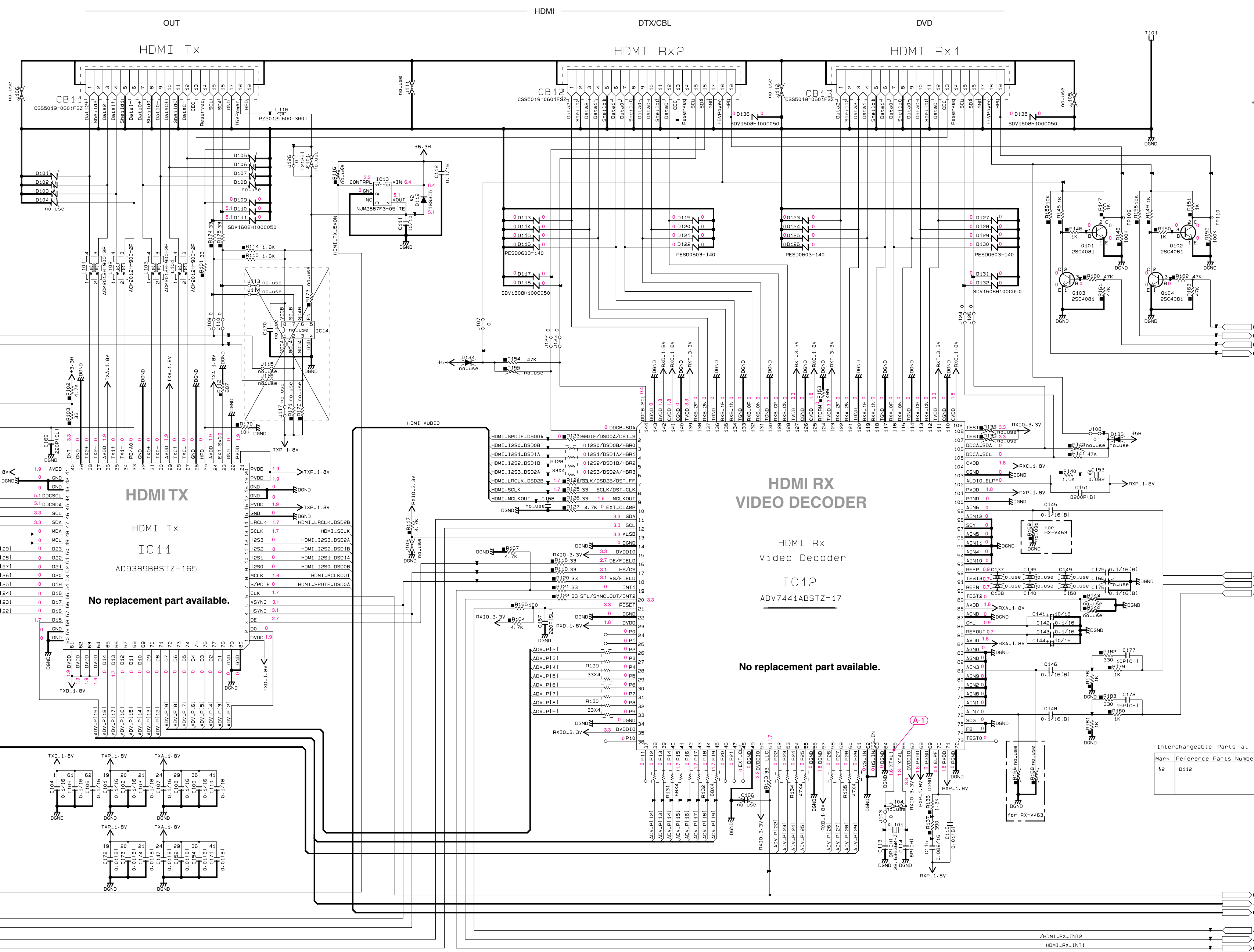


VIDEO SECTION BLOCK DIAGRAM



CONTROL SECTION BLOCK DIAGRAM





Interchangeable Parts at Manufacture-Stage

Mark	Reference Parts Number	Parts Name
42	D152	155395
		MA2J1100L

RESISTOR

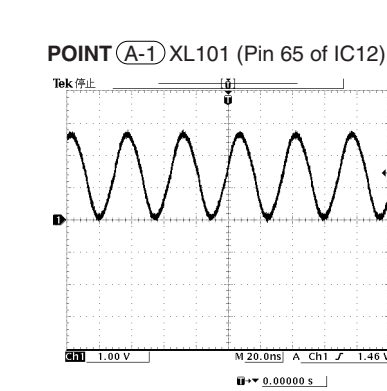
REMARKS	PARTS NAME
NO MARK	CARBON FILM RESISTOR (P=5)
□	CARBON FILM RESISTOR (P=10)
△	METAL OXIDE FILM RESISTOR
▴	METAL FILM RESISTOR
□	METAL PLATE RESISTOR
▽	FIRE PROOF CARBON FILM RESISTOR
□	CEMENT MOLDED RESISTOR
□	SEMI VARIABLE RESISTOR
■	CHIP RESISTOR

CAPACITOR

REMARKS	PARTS NAME
NO MARK	ELECTROLYTIC CAPACITOR
⊗	TANTALUM CAPACITOR
●	CERAMIC CAPACITOR
○	POLYESTER FILM CAPACITOR
⊙	POLYSTYRENE FILM CAPACITOR
Ⓜ	MICA CAPACITOR
⊕	POLYPROPYLENE FILM CAPACITOR
⊖	SEMICONDUCTIVE CERAMIC CAPACITOR

NOTICE (mode11)

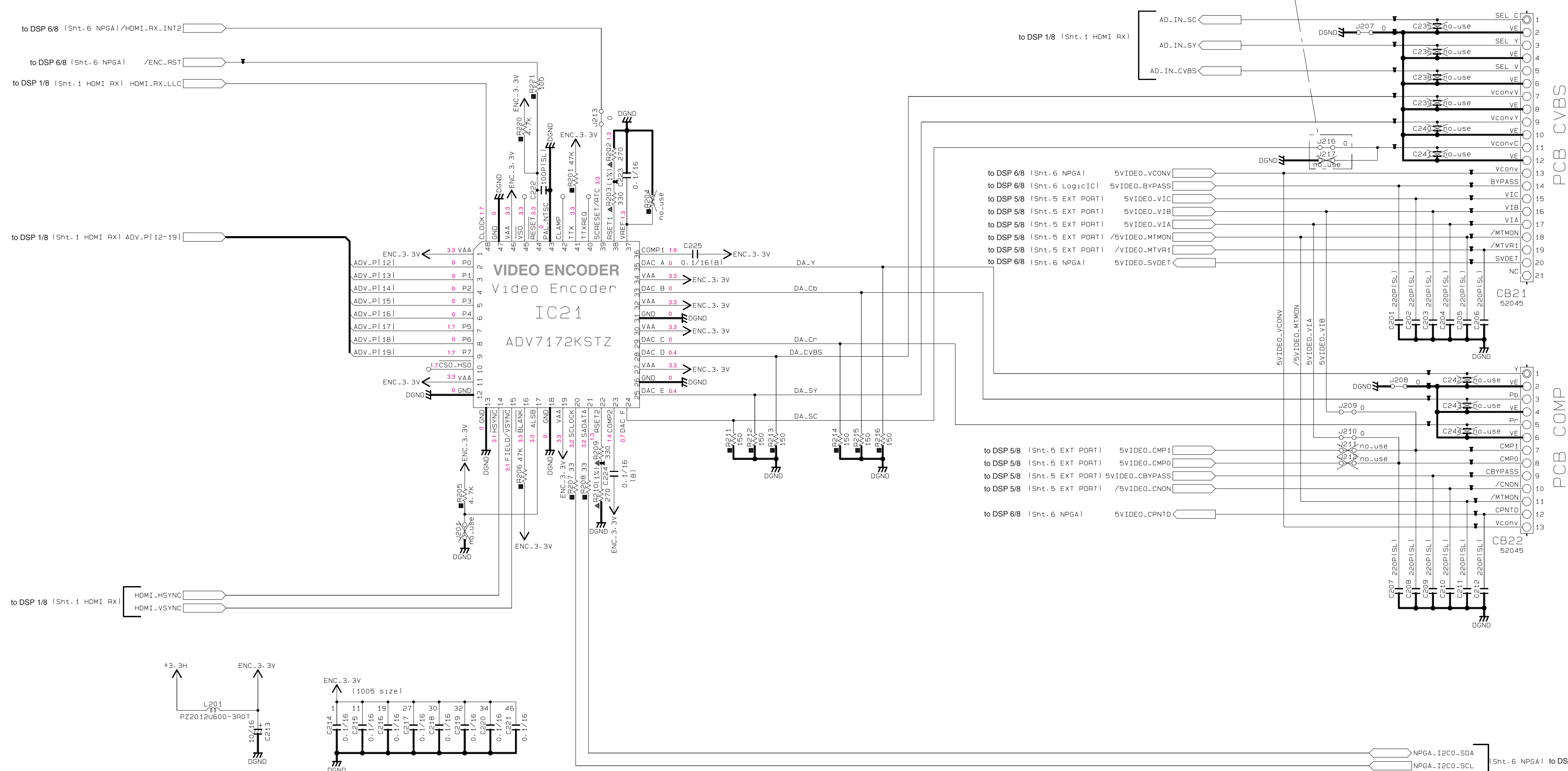
(J)..... JAPAN  
(U)..... U.S.A.  
(C)..... CANADA  
(R)..... GENERAL  
(T)..... CHINA  
(K)..... KOREA  
(A)..... AUSTRALIA  
(B)..... BRITISH  
(G)..... EUROPE  
(L)..... SINGAPORE  
(E)..... SOUTH EUROPE  
(V)..... TAIWAN  
(F)..... RUSSIAN



\* All voltages are measured with a 10MΩ/V DC electronic voltmeter.  
\* Components having special characteristics are marked !, and must be replaced with parts having specifications equal to those originally installed.  
\* Schematic diagram is subject to change without notice.

DSP 2/8

	RX-V563	RX-V463
J216	mount	no mount
J217	no mount	mount



PCB CVBS

PCB COMP

Page 95 [K4]  
to VIDEO (1)\_CB303

Page 96 [D1]  
to VIDEO (2)\_CB326

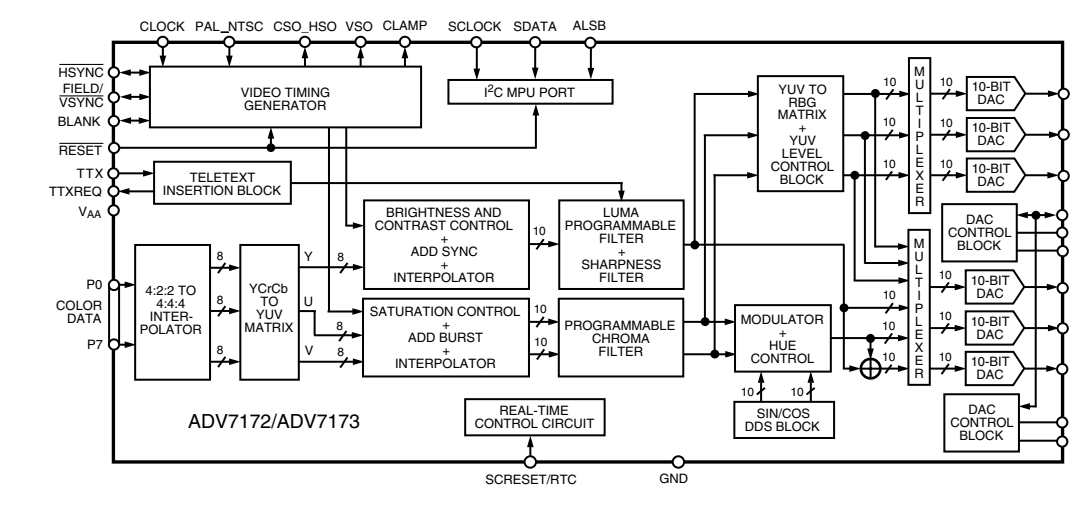
Interchangeable Parts at Manufacture-Stage

Mark	Reference Parts Number	Parts Name
k2	D201	1SS355
		MA2J1110GL

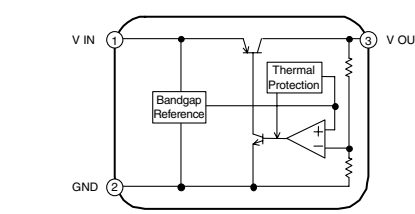
REMARKS	PARTS NAME	REMARKS	PARTS NAME
NO MARK	CARBON FILM RESISTOR (P=5)	NO MARK	ELECTROLYTIC CAPACITOR
□	CARBON FILM RESISTOR (P=10)	⊗	TANTALUM CAPACITOR
△	METAL OXIDE FILM RESISTOR	NO MARK	CERAMIC CAPACITOR
⊗	METAL FILM RESISTOR	⊙	CERAMIC TUBULAR CAPACITOR
⊙	METAL PLATE RESISTOR	⊖	POLYESTER FILM CAPACITOR
⊖	FIRE PROOF CARBON FILM RESISTOR	○	POLYSTYRENE FILM CAPACITOR
⊖	CEMENT MOLDED RESISTOR	⊕	MICA CAPACITOR
⊖	SEMI VARIABLE RESISTOR	⊖	POLYPROPYLENE FILM CAPACITOR
⊖	CHIP RESISTOR	⊙	SEMICONDUCTIVE CERAMIC CAPACITOR

NOTICE [mode1]  
(J)..... JAPAN  
(U)..... U.S.A  
(C)..... CANADA  
(R)..... GENERAL  
(T)..... CHINA  
(K)..... KOREA  
(A)..... AUSTRALIA  
(B)..... BRITISH  
(G)..... EUROPE  
(L)..... SINGAPORE  
(E)..... SOUTH EUROPE  
(V)..... TAIWAN  
(F)..... RUSSIAN

IC21: ADV7172KSTZ  
Digital PAL/NTSC video encoder



IC22: NJM2845DL1-18  
Low dropout voltage regulator



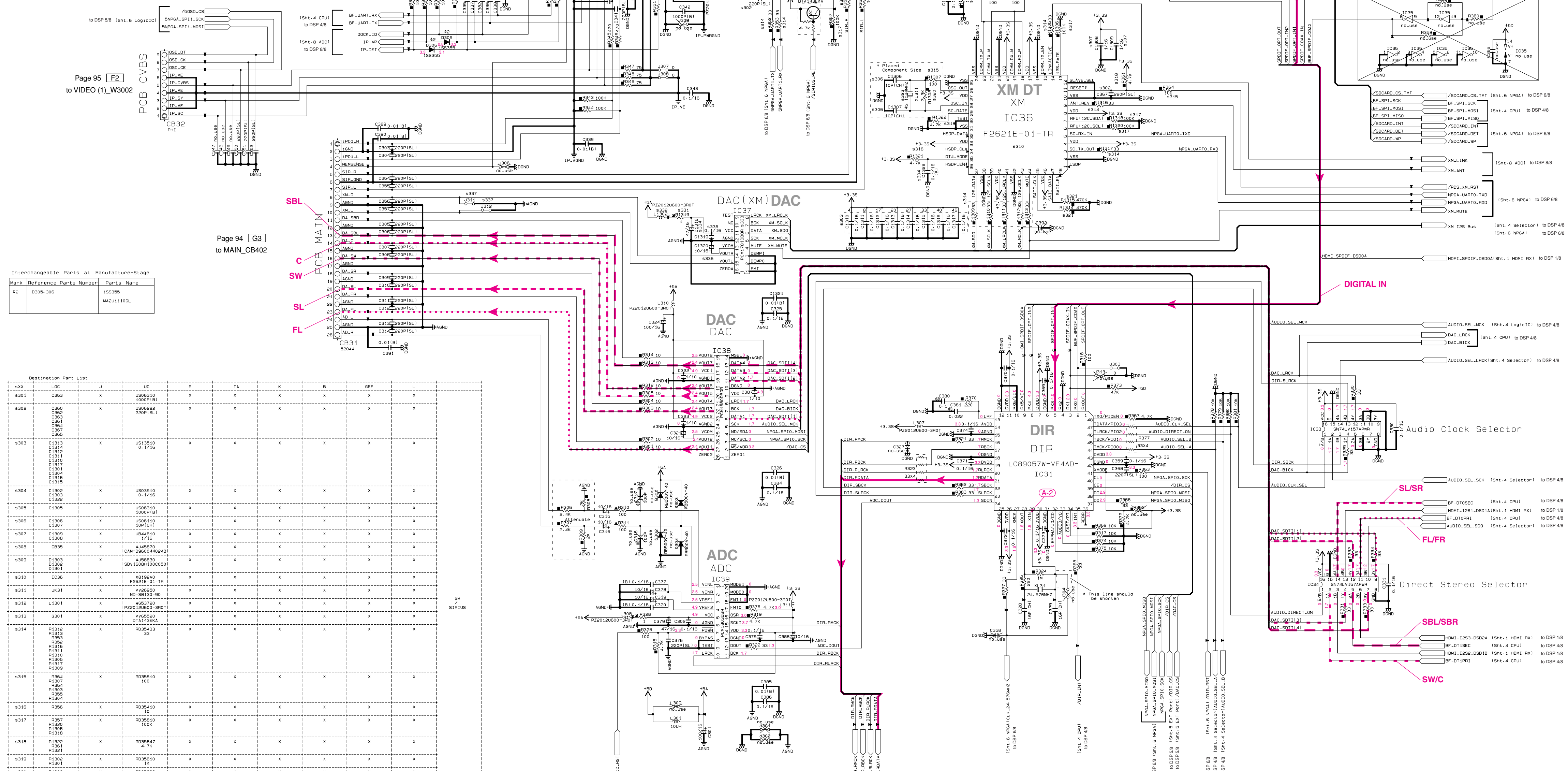
\* All voltages are measured with a 10MΩ/V DC electronic voltmeter.  
\* Components having special characteristics are marked ⚡, and must be replaced with parts having specifications equal to those originally installed.  
\* Schematic diagram is subject to change without notice.

DSP 3/8

REMARKS	PARTS NAME	REMARKS	PARTS NAME
NO MARK	CARBON FILM RESISTOR (P-5)	NO MARK	ELECTROLYTIC CAPACITOR
□	METAL OXIDE FILM RESISTOR (P-10)	⊗	TANTALUM CAPACITOR
△	METAL FILM RESISTOR	⊙	CERAMIC TUBULAR CAPACITOR
▴	METAL PLATE RESISTOR	○	POLYESTER FILM CAPACITOR
▾	FIRE PROOF CARBON FILM RESISTOR	⊖	POLYSTYRENE FILM CAPACITOR
⊕	CEMENT MOLDED RESISTOR	Ⓜ	MICA CAPACITOR
⊗	SEMI-VARIABLE RESISTOR	Ⓢ	POLYPROPYLENE FILM CAPACITOR
■	CHIP RESISTOR	Ⓣ	SEMICONDUCTIVE CERAMIC CAPACITOR

NOTICE (model1)  
 (J)..... JAPAN  
 (U)..... U.S.A  
 (C)..... CANADA  
 (R)..... GENERAL  
 (T)..... CHINA  
 (K)..... KOREA  
 (A)..... AUSTRALIA  
 (B)..... BRITISH  
 (G)..... EUROPE  
 (L)..... SINGAPORE  
 (E)..... SOUTH EUROPE  
 (V)..... TAIWAN  
 (F)..... RUSSIAN

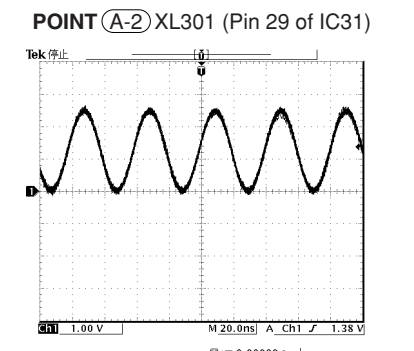
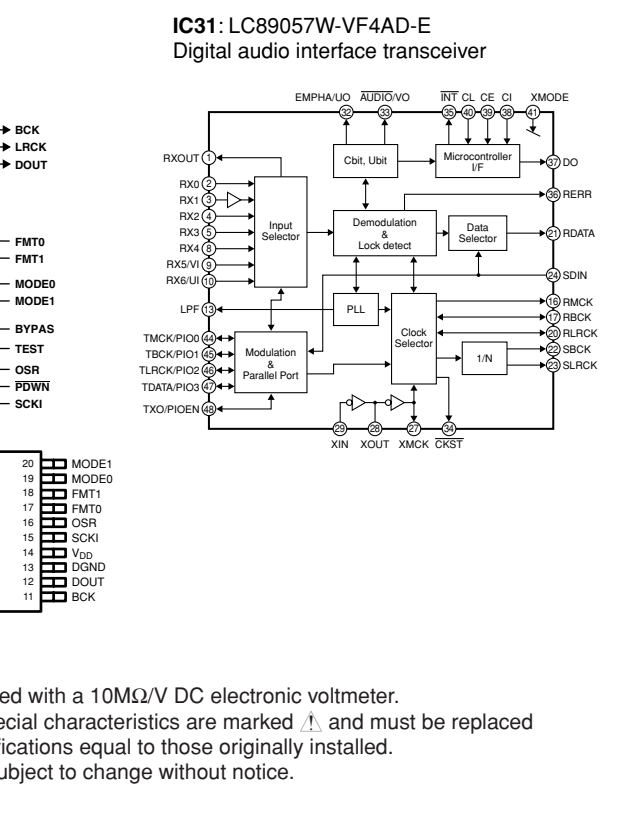
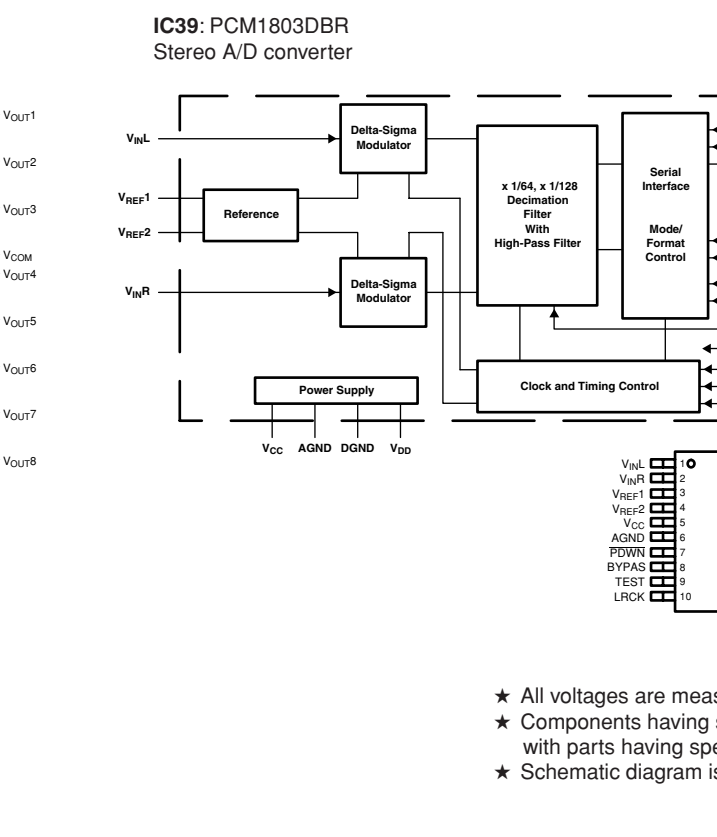
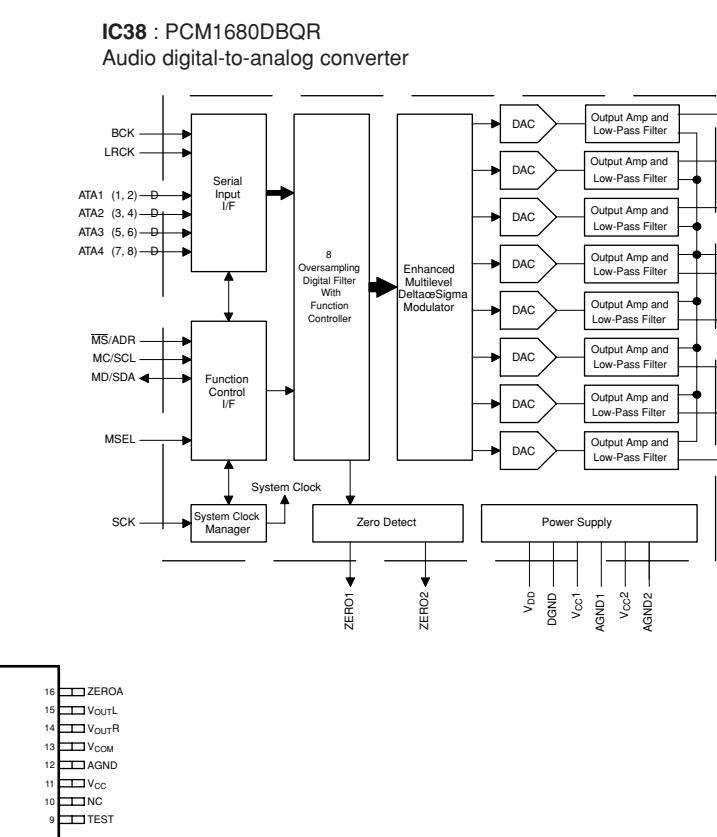
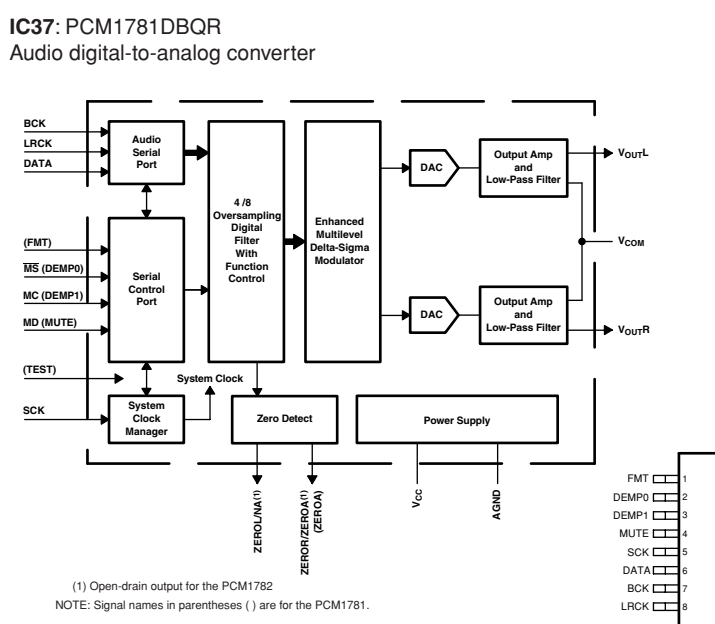
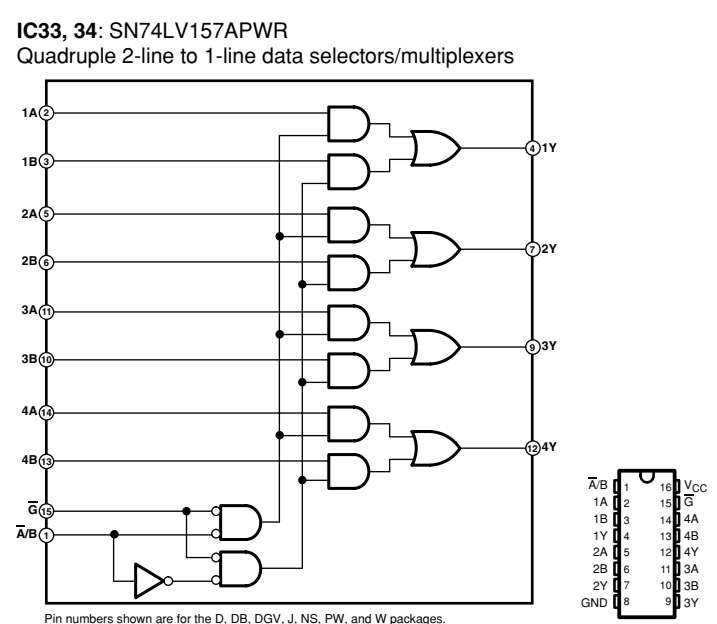
No replacement part available.



Interchangeable Parts at Manufacture-Stage

Mark	Reference Parts Number	Parts Name
□2	D305-306	MAJ11100L

Destination Part List	LOC	QTY	UC	R	TA	X	B	DEF	L
3301	C353	X	US06330 1000P181	X	X	X	X	X	X
3302	C362	X	US06309 200P1511	X	X	X	X	X	X
3303	C313	X	US13910 0.1F16	X	X	X	X	X	X
3304	C330	X	US03910 0.1F16	X	X	X	X	X	X
3305	C330	X	US06330 1000P181	X	X	X	X	X	X
3306	C307	X	US06309 100P1511	X	X	X	X	X	X
3307	C309	X	US44610 1F16	X	X	X	X	X	X
3308	C355	X	W45870 CAM-D0600440248	X	X	X	X	X	X
3309	C302	X	W45870 SDV160B100C050	X	X	X	X	X	X
3310	C336	X	X810240	X	X	X	X	X	X
3311	JK31	X	F2621E-01-TR	X	X	X	X	X	X
3312	L301	X	WD37370	X	X	X	X	X	X
3313	G301	X	D143834	X	X	X	X	X	X
3314	R313	X	RD35493	X	X	X	X	X	X
3315	R364	X	RD39510	X	X	X	X	X	X
3316	R364	X	RD39510	X	X	X	X	X	X
3317	R364	X	RD39510	X	X	X	X	X	X
3318	R321	X	RD39510	X	X	X	X	X	X
3319	R321	X	RD39510	X	X	X	X	X	X
3320	R321	X	RD39510	X	X	X	X	X	X
3321	R315	X	RD39510	X	X	X	X	X	X
3322	S131	X	W566800	X	X	X	X	X	X
3323	X311	X	W462300	X	X	X	X	X	X
3324	R319	X	HV76310	X	X	X	X	X	X
3325	L302	X	WD37370	X	X	X	X	X	X
3326	IC37	X	Y73730	X	X	X	X	X	X
3327	C1318	X	US13910 0.1F16	X	X	X	X	X	X
3328	C1319	X	US13910 0.1F16	X	X	X	X	X	X
3329	C1320	X	US13910 0.1F16	X	X	X	X	X	X
3330	C1320	X	US13910 0.1F16	X	X	X	X	X	X
3331	C344	X	US13910 0.1F16	X	X	X	X	X	X
3332	L302	X	W462370	X	X	X	X	X	X
3333	U31	X	W462370	X	X	X	X	X	X



\* All voltages are measured with a 10MΩ/V DC electronic voltmeter.  
 \* Components having special characteristics are marked !, and must be replaced with parts having specifications equal to those originally installed.  
 \* Schematic diagram is subject to change without notice.



DSP 4/8

Part No.	LOC	J	UC	R	TA	K	B	GEF	L	XM
s401	J404	R03000	X	R03000	R03000	R03000	R03000	R03000	R03000	XM
s402	R408	X	X	R03043	R03043	R03043	R03043	R03043	R03043	USB

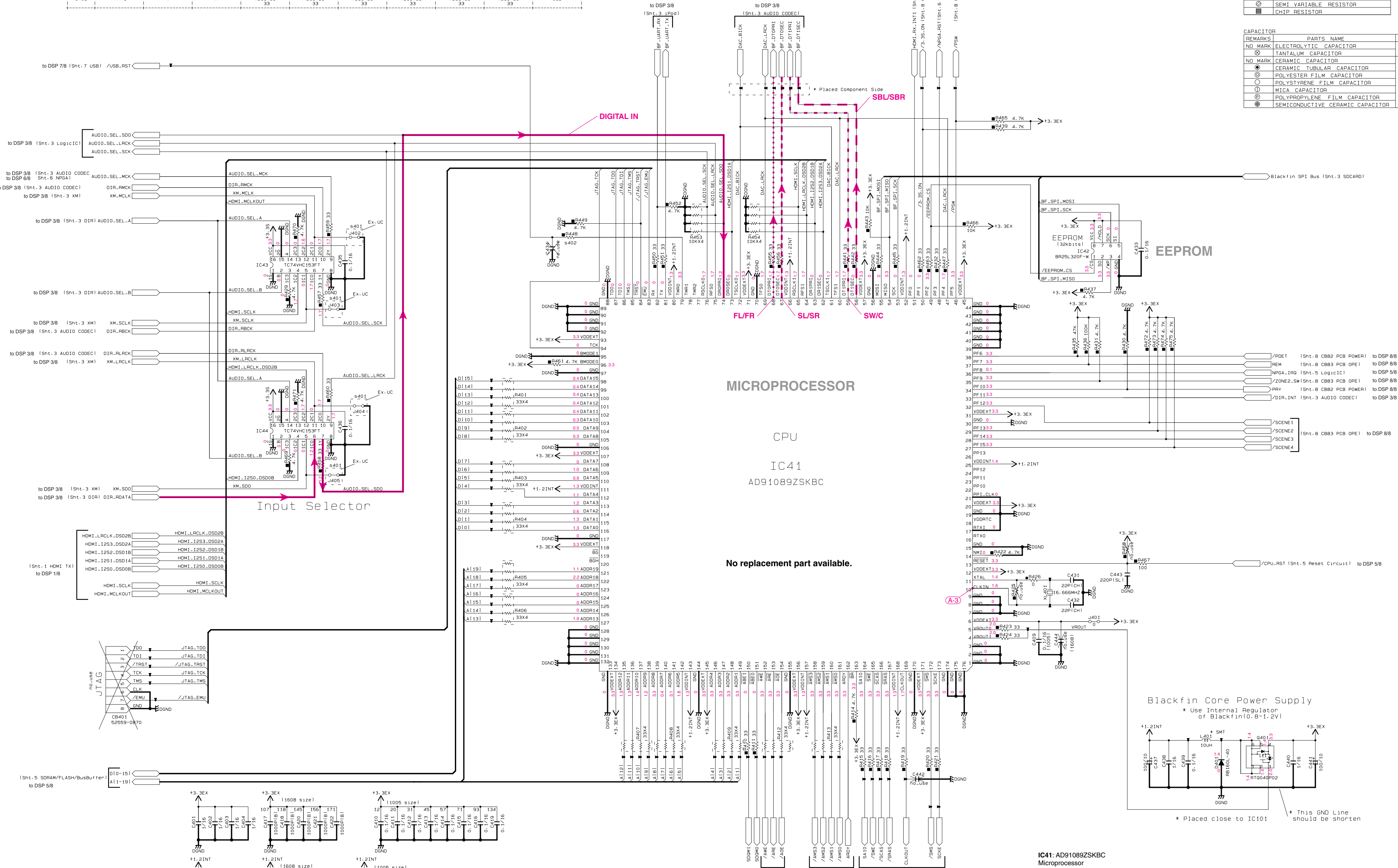
REMARKS	PARTS NAME
NO MARK	CARBON FILM RESISTOR [P=5]
NO MARK	CARBON FILM RESISTOR [P=10]
NO MARK	METAL OXIDE FILM RESISTOR
NO MARK	METAL FILM RESISTOR
NO MARK	METAL PLATE RESISTOR
NO MARK	FINE PROOF CARBON FILM RESISTOR
NO MARK	CEMENT MOLDED RESISTOR
NO MARK	SEMI VARIABLE RESISTOR
NO MARK	CHIP RESISTOR

REMARKS	PARTS NAME
NO MARK	ELECTROLYTIC CAPACITOR
NO MARK	TANTALUM CAPACITOR
NO MARK	CERAMIC CAPACITOR
NO MARK	CERAMIC TUBULAR CAPACITOR
NO MARK	POLYESTER FILM CAPACITOR
NO MARK	POLYETHYLENE FILM CAPACITOR
NO MARK	MICA CAPACITOR
NO MARK	POLYPROPYLENE FILM CAPACITOR
NO MARK	SEMICONDUCTIVE CERAMIC CAPACITOR

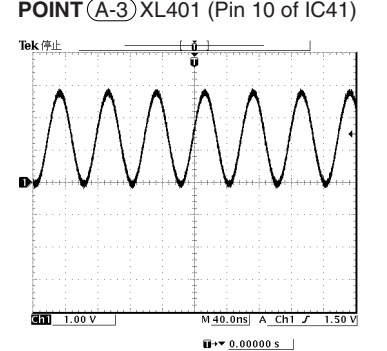
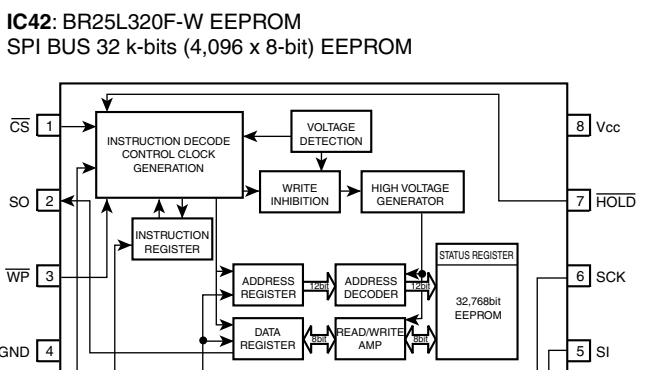
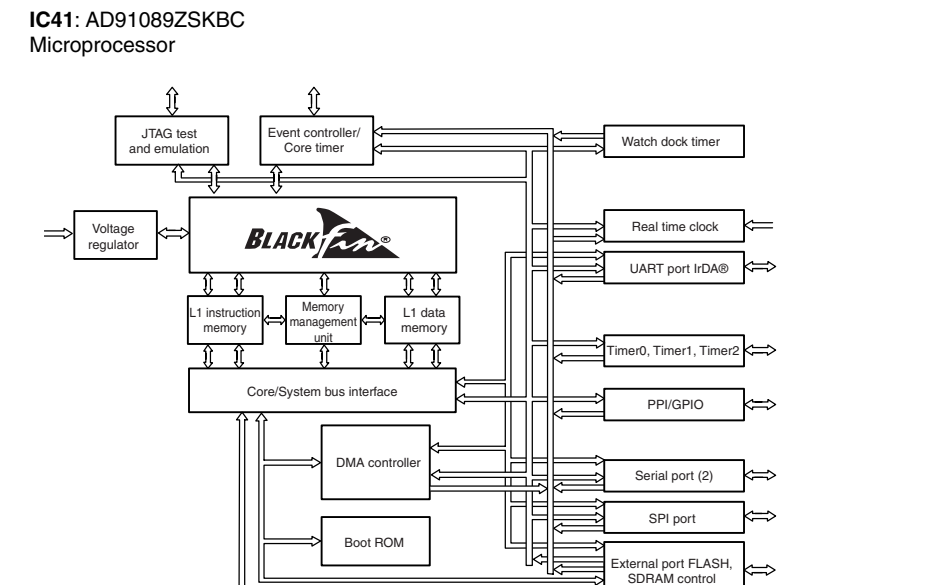
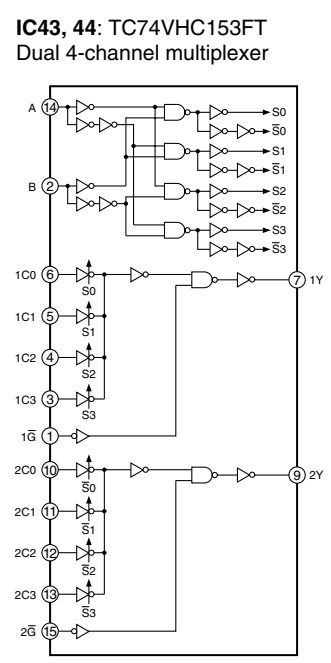
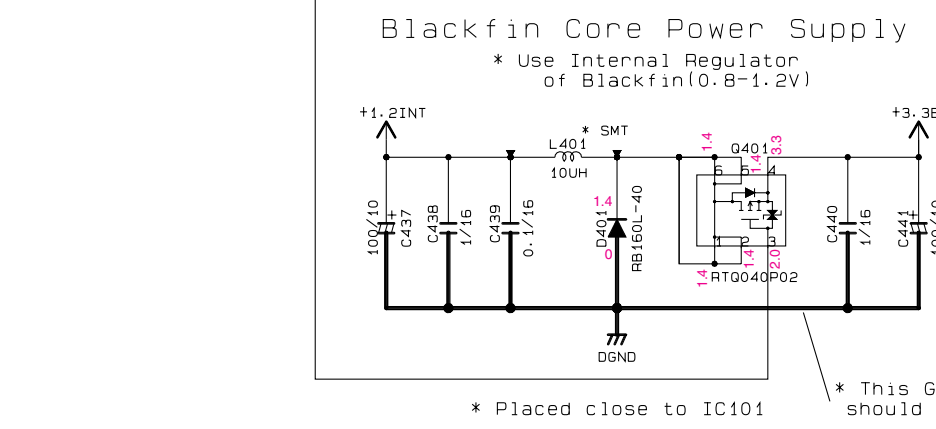
NOTICE (model)

(J)..... JAPAN  
 (U)..... U.S.A  
 (C)..... CANADA  
 (R)..... GENERAL  
 (T)..... CHINA  
 (K)..... KOREA  
 (A)..... AUSTRALIA  
 (B)..... BRITISH  
 (G)..... EUROPE  
 (L)..... SINGAPORE  
 (E)..... SOUTH EUROPE  
 (V)..... TAIWAN  
 (F)..... RUSSIAN



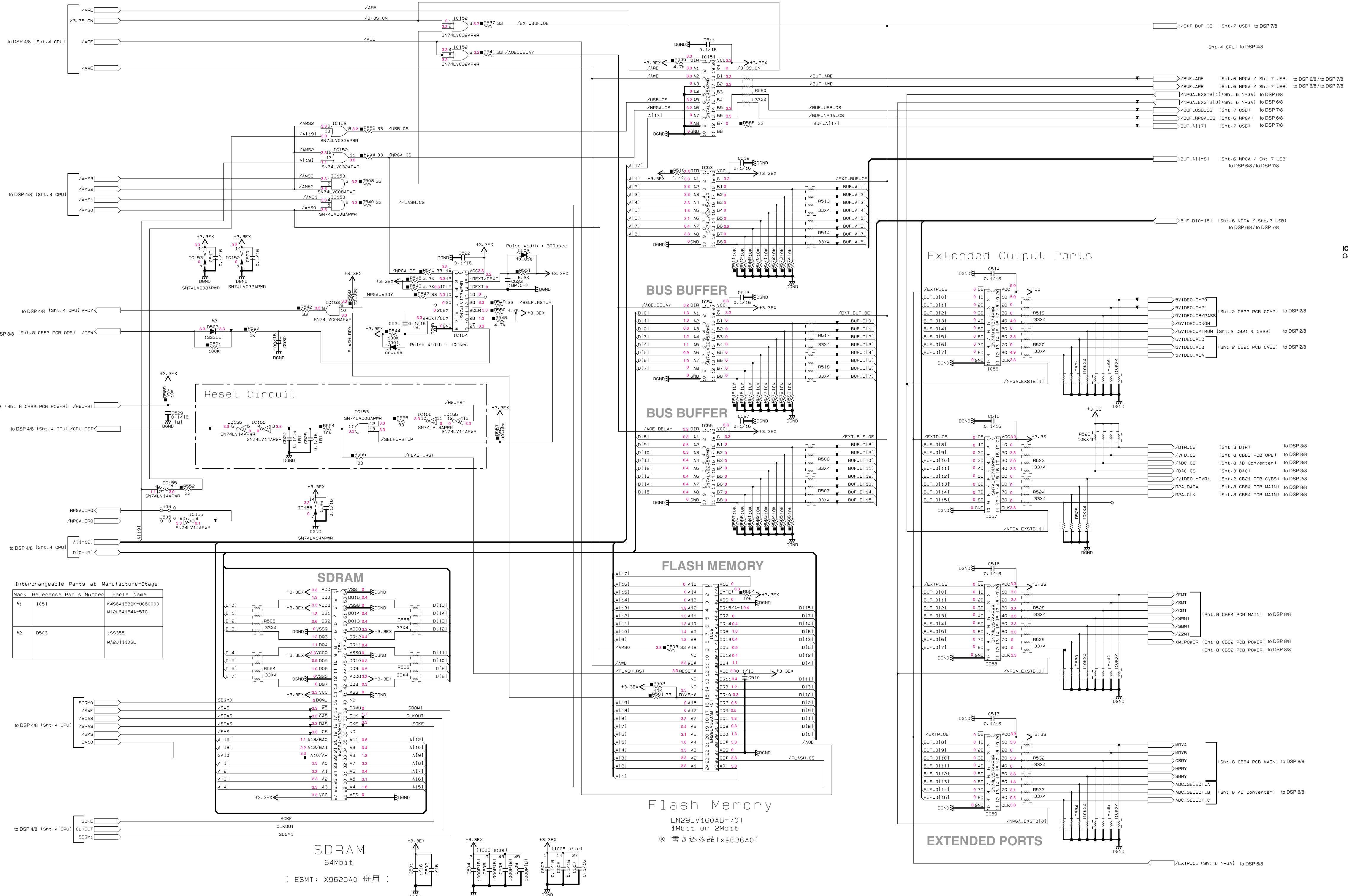
MICROPROCESSOR  
 CPU  
 IC41  
 AD91089ZSKBC

No replacement part available.



\* All voltages are measured with a 10MΩ/V DC electronic voltmeter.  
 \* Components having special characteristics are marked with a star and must be replaced with parts having specifications equal to those originally installed.  
 \* Schematic diagram is subject to change without notice.

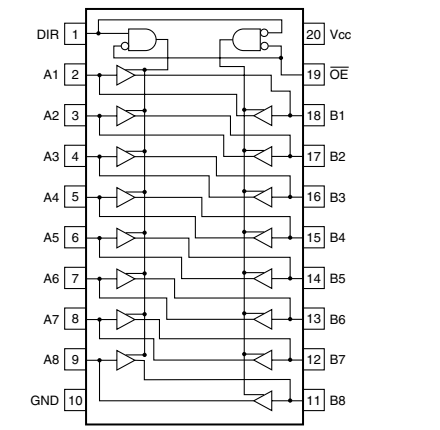
DSP 5/8



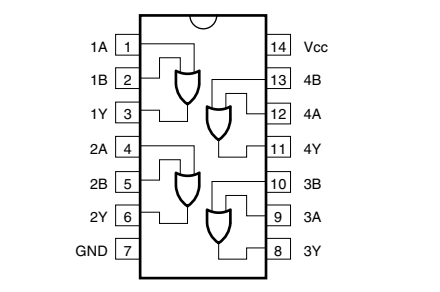
NOTICE (model)

(J)..... JAPAN  
 (U)..... U.S.A  
 (C)..... CANADA  
 (R)..... GENERAL  
 (T)..... CHINA  
 (K)..... KOREA  
 (A)..... AUSTRALIA  
 (B)..... BRITISH  
 (G)..... EUROPE  
 (L)..... SINGAPORE  
 (E)..... SOUTH EUROPE  
 (V)..... TAIWAN  
 (F)..... RUSSIAN

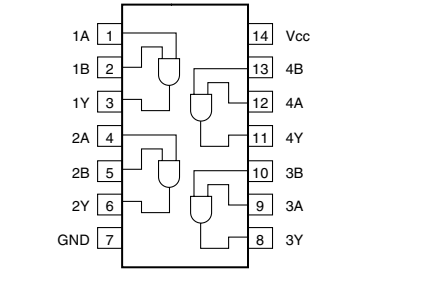
IC55-55: SN74V142PWR Octal bus transceivers with 3-state outputs



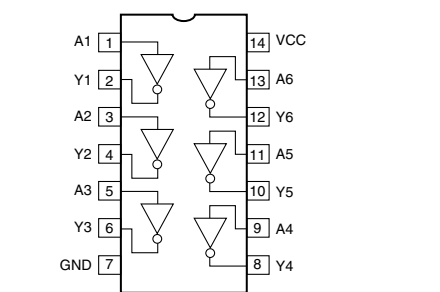
IC152: SN74V144PWR Quadrule 2-input positive-OR gates



IC153: SN74V144PWR Quadrule 2-input positive-AND gate



IC155: SN74V144PWR Hex schmitt trigger inverters



Interchangeable Parts at Manufacture-Stage

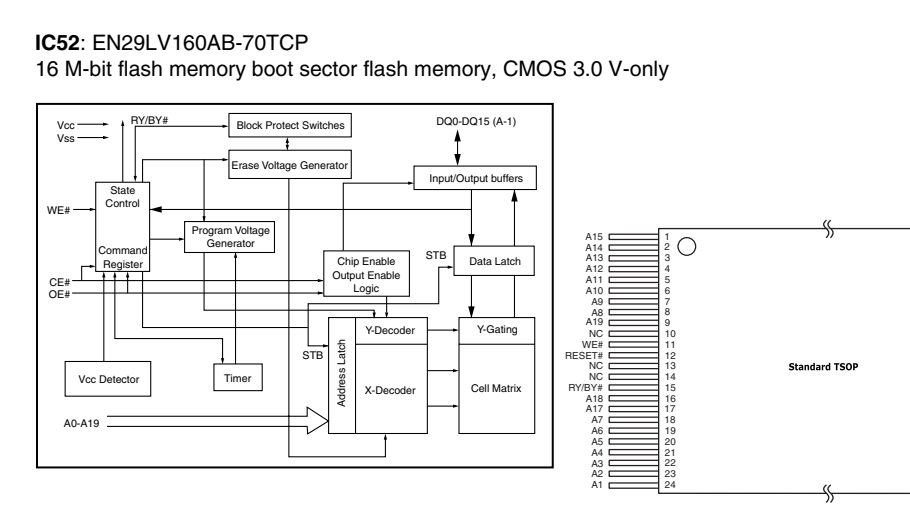
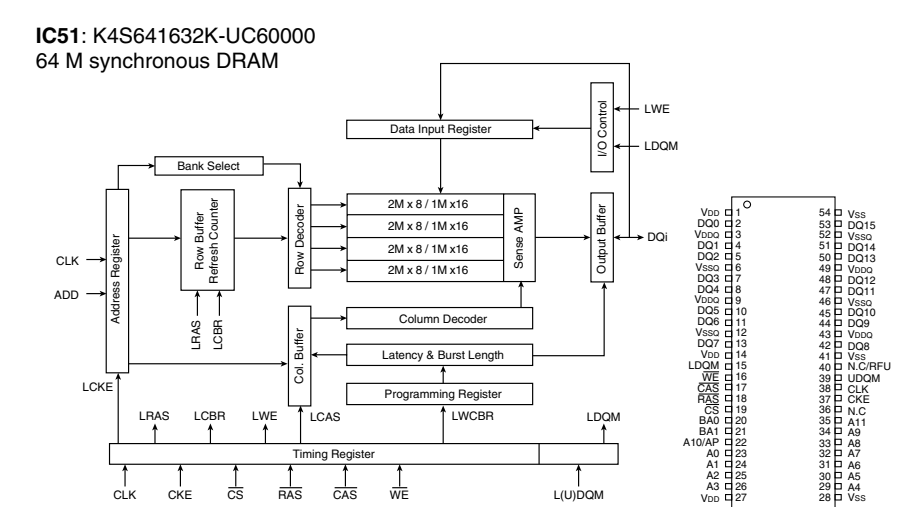
Mark	Reference Parts Number	Parts Name
k1	IC51	K4S641632K-UC60000 M12L64164A-5TG
k2	D603	1S5395 MA2J1110GL

RESISTOR

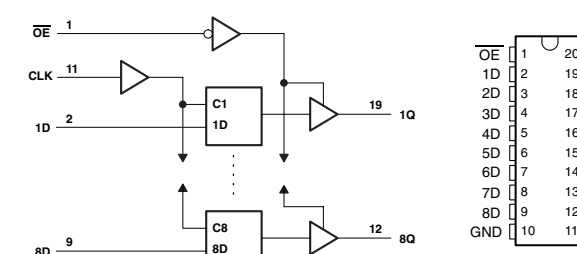
REMARKS	PARTS NAME
NO MARK	CARBON FILM RESISTOR (P=5)
□	CARBON FILM RESISTOR (P=10)
△	METAL OXIDE FILM RESISTOR
▲	METAL FILM RESISTOR
○	METAL PLATE RESISTOR
◇	FINE PROOF CARBON FILM RESISTOR
■	CEMENT MOLDED RESISTOR
□	SEMI VARIABLE RESISTOR
■	CHIP RESISTOR

CAPACITOR

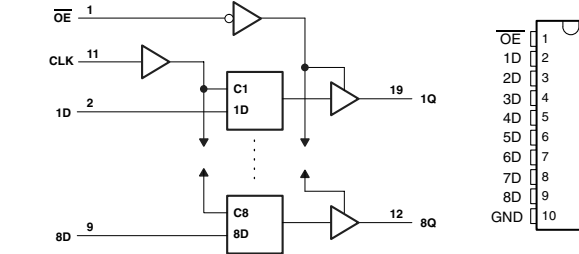
REMARKS	PARTS NAME
NO MARK	ELECTROLYTIC CAPACITOR
○	TANTALUM CAPACITOR
NO MARK	CERAMIC CAPACITOR
●	CERAMIC TUBULAR CAPACITOR
○	POLYESTER FILM CAPACITOR
○	POLYSTYRENE FILM CAPACITOR
○	MICA CAPACITOR
○	POLYPROPYLENE FILM CAPACITOR
○	SEMICONDUCTIVE CERAMIC CAPACITOR



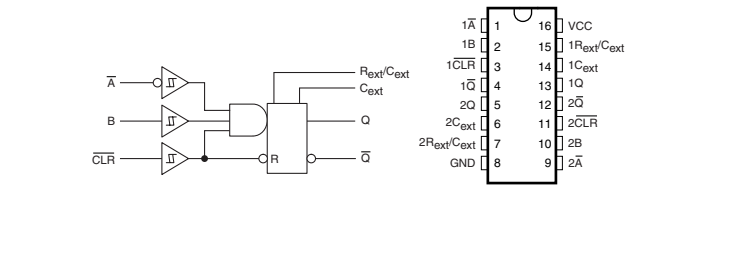
IC56: SN74AHC174PWR Octal edge-triggered D-type flip-flops with 3-state outputs



IC57-59: SN74LV574PWR 8D-F Octal edge-triggered D-type flip-flops with 3-state outputs

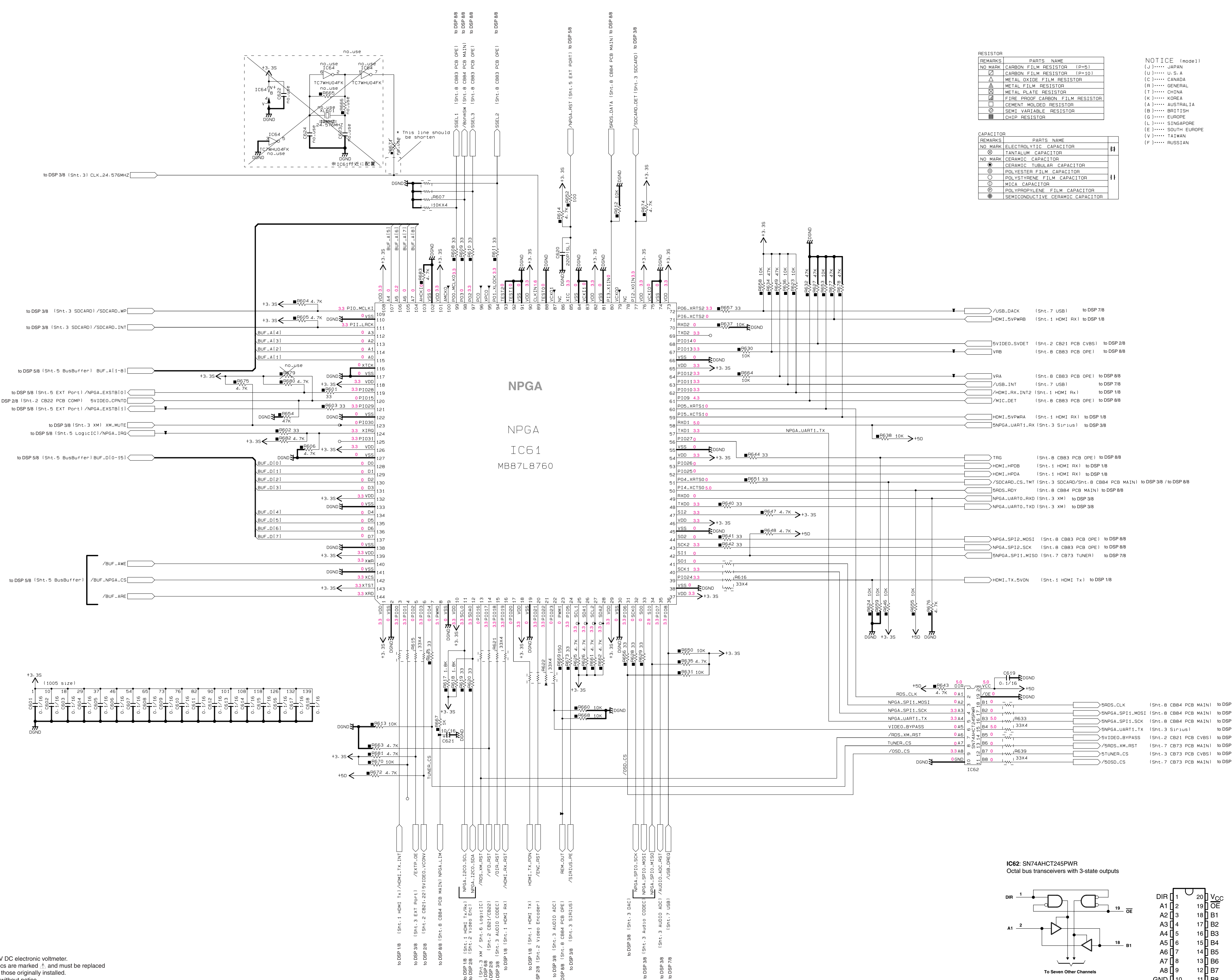


IC154: SN74LV123APWR Dual retriggerable monostable multivibrators with schmitt-trigger inputs



\* All voltages are measured with a 10MΩ/V DC electronic voltmeter.  
 \* Components having special characteristics are marked !, and must be replaced with parts having specifications equal to those originally installed.  
 \* Schematic diagram is subject to change without notice.

DSP 6/8



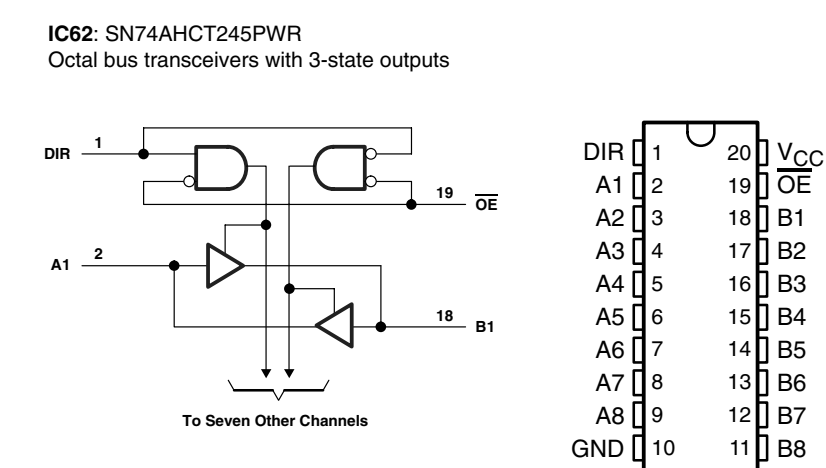
REMARKS	PARTS_NAME
NO MARK	CARBON FILM RESISTOR (P=5)
□	CARBON FILM RESISTOR (P=10)
△	METAL OXIDE FILM RESISTOR
▲	METAL FILM RESISTOR
■	METAL PLATE RESISTOR
▨	FIRE PROOF CARBON FILM RESISTOR
□	CEMENT MOLDED RESISTOR
⊗	SMT VARIABLE RESISTOR
■	CHIP RESISTOR

REMARKS	PARTS_NAME
NO MARK	ELECTROLYTIC CAPACITOR
□	TANTALUM CAPACITOR
○	CERAMIC TUBULAR CAPACITOR
⊙	POLYESTER FILM CAPACITOR
○	POLYSTYRENE FILM CAPACITOR
○	MICA CAPACITOR
⊙	POLYPROPYLENE FILM CAPACITOR
⊙	SEMICONDUCTIVE CERAMIC CAPACITOR

NOTICE (model)

(J) ..... JAPAN  
 (U) ..... U.S.A  
 (C) ..... CANADA  
 (R) ..... GENERAL  
 (T) ..... CHINA  
 (K) ..... KOREA  
 (A) ..... AUSTRALIA  
 (B) ..... BRITISH  
 (G) ..... EUROPE  
 (L) ..... SINGAPORE  
 (E) ..... SOUTH EUROPE  
 (V) ..... TAIWAN  
 (F) ..... RUSSIAN



\* All voltages are measured with a 10MΩ/V DC electronic voltmeter.  
 \* Components having special characteristics are marked ▲, and must be replaced with parts having specifications equal to those originally installed.  
 \* Schematic diagram is subject to change without notice.

DSP 7/8

RESISTOR

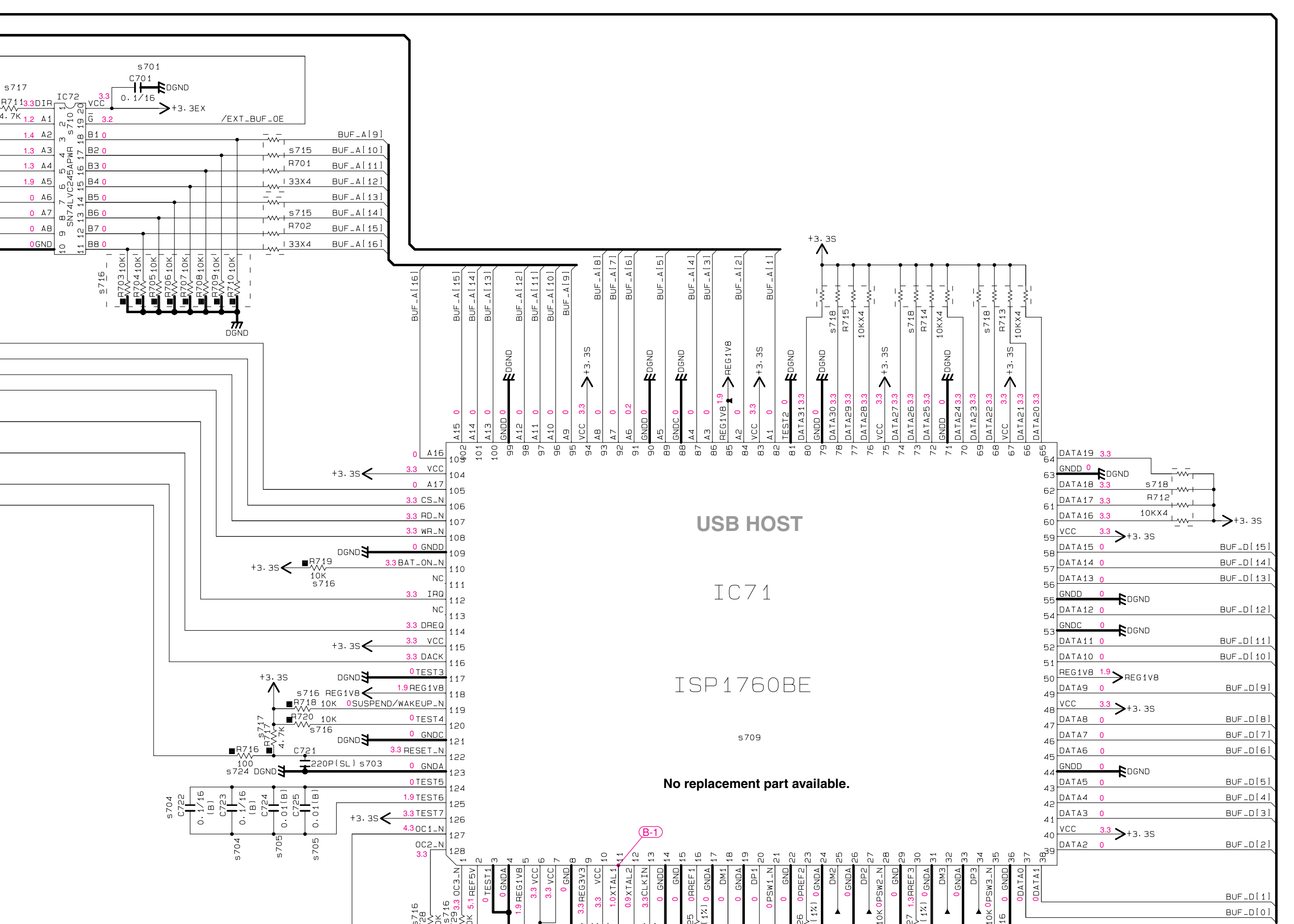
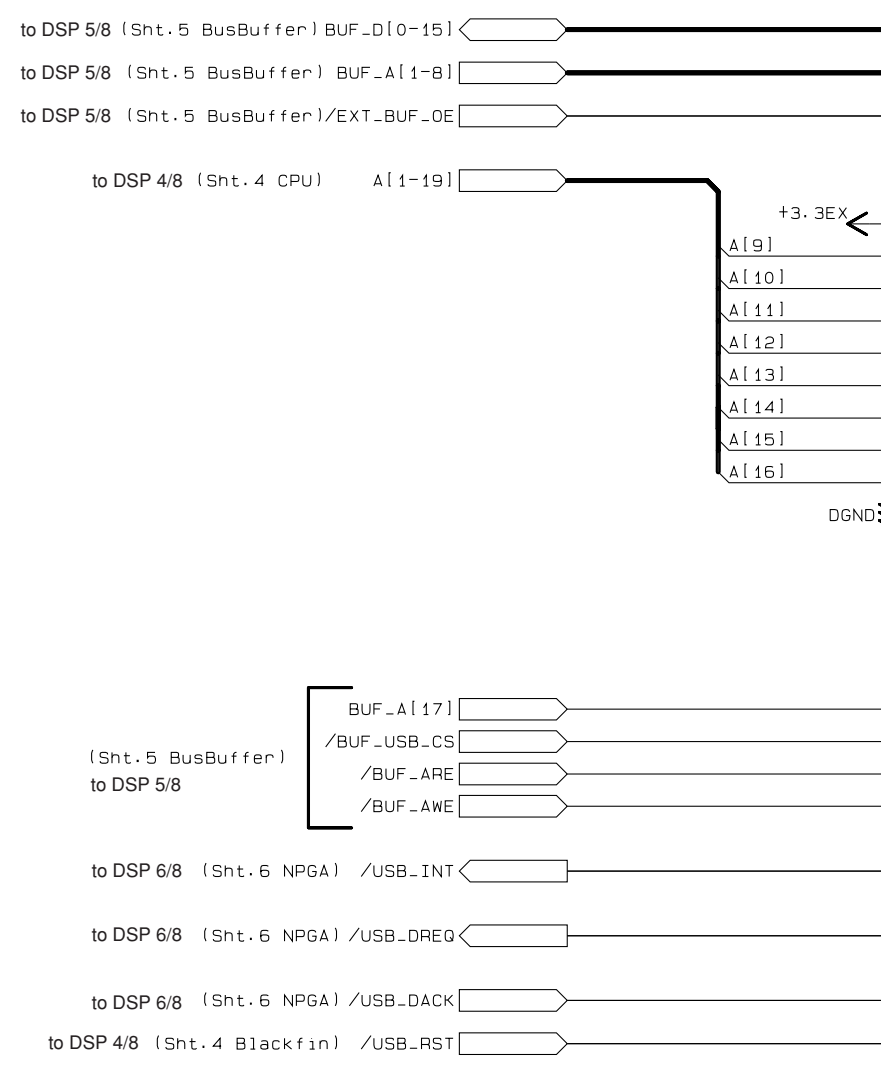
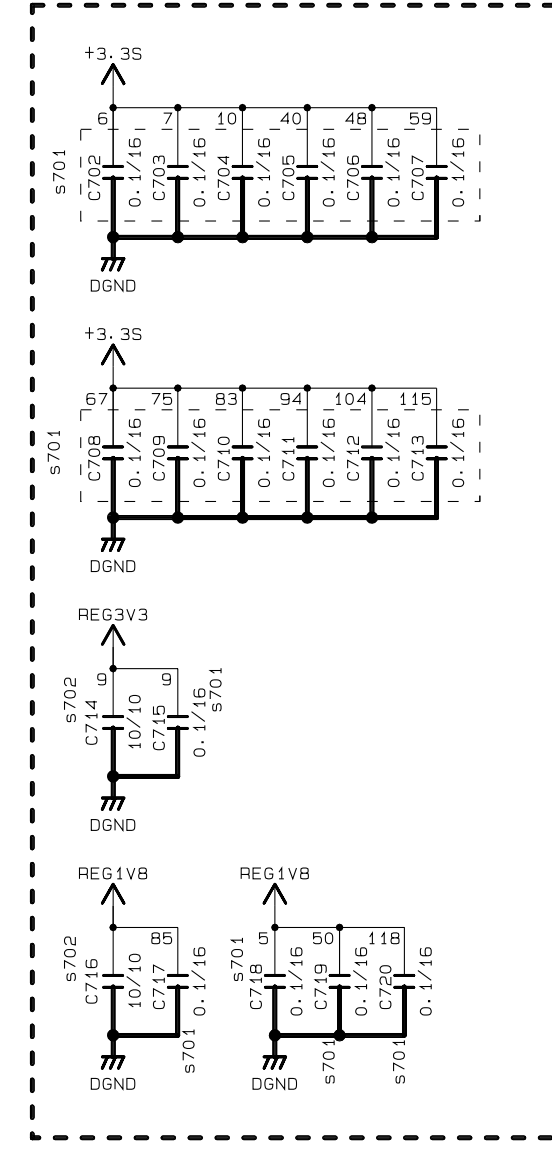
REMARKS	PARTS NAME
NO MARK	CARBON FILM RESISTOR (P=5)
□	CARBON FILM RESISTOR (P=10)
△	METAL OXIDE FILM RESISTOR
⊠	METAL FILM RESISTOR
⊞	METAL PLATE RESISTOR
⊟	FIRE PROOF CARBON FILM RESISTOR
⊠	CEMENT MOLDED RESISTOR
⊞	SEMI VARIABLE RESISTOR
⊟	CHIP RESISTOR

CAPACITOR

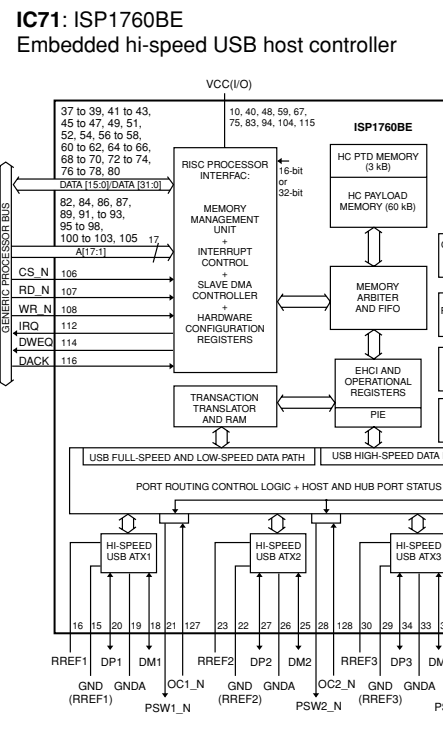
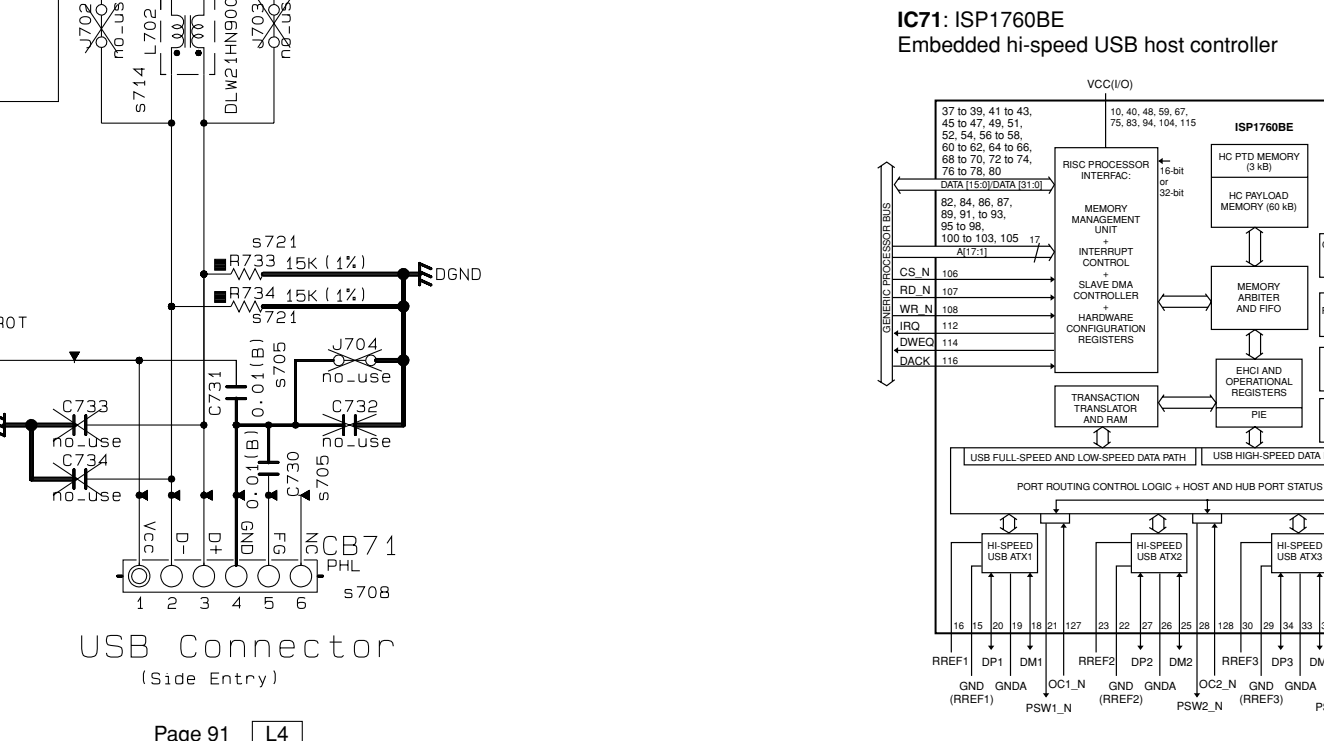
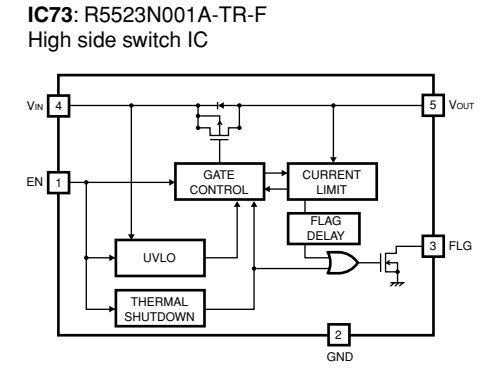
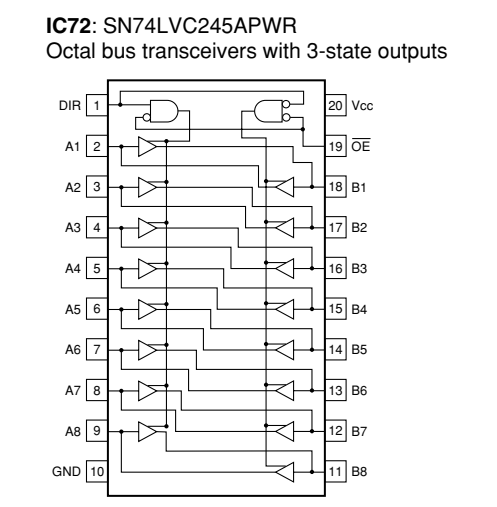
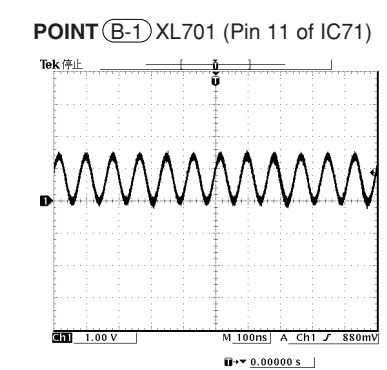
REMARKS	PARTS NAME
NO MARK	ELECTROLYTIC CAPACITOR
⊗	TANTALUM CAPACITOR
NO MARK	CERAMIC CAPACITOR
●	CERAMIC TUBULAR CAPACITOR
○	POLYESTER FILM CAPACITOR
○	POLYETHYLENE FILM CAPACITOR
○	MICA CAPACITOR
○	POLYPROPYLENE FILM CAPACITOR
○	SEMICONDUCTIVE CERAMIC CAPACITOR

NOTICE (model)

(J)..... JAPAN  
 (U)..... U.S.A  
 (C)..... CANADA  
 (R)..... GENERAL  
 (T)..... CHINA  
 (K)..... KOREA  
 (A)..... AUSTRALIA  
 (B)..... BRITISH  
 (G)..... EUROPE  
 (L)..... SINGAPORE  
 (E)..... SOUTH EUROPE  
 (V)..... TAIWAN  
 (F)..... RUSSIAN



sxx	LOC	J	UC	R	TA	K	B	GEF	L
s701	C705	X	X	US13510 0.1/16	US13510 0.1/16	US13510 0.1/16	US13510 0.1/16	US13510 0.1/16	US13510 0.1/16
s702	C714	X	X	WD75830 10/10	WD75830 10/10	WD75830 10/10	WD75830 10/10	WD75830 10/10	WD75830 10/10
s703	C721	X	X	US06222 200P(SL)	US06222 200P(SL)	US06222 200P(SL)	US06222 200P(SL)	US06222 200P(SL)	US06222 200P(SL)
s704	C723	X	X	US03510 0.1/16	US03510 0.1/16	US03510 0.1/16	US03510 0.1/16	US03510 0.1/16	US03510 0.1/16
s705	C731	X	X	US06410 0.01(B)	US06410 0.01(B)	US06410 0.01(B)	US06410 0.01(B)	US06410 0.01(B)	US06410 0.01(B)
s706	C727	X	X	US06120 20P(CH)	US06120 20P(CH)	US06120 20P(CH)	US06120 20P(CH)	US06120 20P(CH)	US06120 20P(CH)
s707	C729	X	X	URB3810 100/16	URB3810 100/16	URB3810 100/16	URB3810 100/16	URB3810 100/16	URB3810 100/16
s708	CB71	X	X	VBB5850 PHL	VBB5850 PHL	VBB5850 PHL	VBB5850 PHL	VBB5850 PHL	VBB5850 PHL
s709	IC71	X	X	XB288A0 ISP1760BE	XB288A0 ISP1760BE	XB288A0 ISP1760BE	XB288A0 ISP1760BE	XB288A0 ISP1760BE	XB288A0 ISP1760BE
s710	IC72	X	X	XZ287A0 SN74LVC245APWR	XZ287A0 SN74LVC245APWR	XZ287A0 SN74LVC245APWR	XZ287A0 SN74LVC245APWR	XZ287A0 SN74LVC245APWR	XZ287A0 SN74LVC245APWR
s711	IC73	X	X	XB096A0 R5523N001A-TR-F	XB096A0 R5523N001A-TR-F	XB096A0 R5523N001A-TR-F	XB096A0 R5523N001A-TR-F	XB096A0 R5523N001A-TR-F	XB096A0 R5523N001A-TR-F
s712	J701	X	X	RD35000	RD35000	RD35000	RD35000	RD35000	RD35000
s713	L702	X	X	PZ2012U600-3R0T	PZ2012U600-3R0T	PZ2012U600-3R0T	PZ2012U600-3R0T	PZ2012U600-3R0T	PZ2012U600-3R0T
s714	L702	X	X	DLW21HN900S02L	DLW21HN900S02L	DLW21HN900S02L	DLW21HN900S02L	DLW21HN900S02L	DLW21HN900S02L
s715	R701	X	X	WH20580 33X4	WH20580 33X4	WH20580 33X4	WH20580 33X4	WH20580 33X4	WH20580 33X4
s716	R718	X	X	RD35710 10K	RD35710 10K	RD35710 10K	RD35710 10K	RD35710 10K	RD35710 10K
s717	R711	X	X	RD35647 4.7K	RD35647 4.7K	RD35647 4.7K	RD35647 4.7K	RD35647 4.7K	RD35647 4.7K
s718	R715	X	X	WH21180 10KX4	WH21180 10KX4	WH21180 10KX4	WH21180 10KX4	WH21180 10KX4	WH21180 10KX4
s719	R722	X	X	RD35647 470	RD35647 470	RD35647 470	RD35647 470	RD35647 470	RD35647 470
s720	R727	X	X	RF45712 12K	RF45712 12K	RF45712 12K	RF45712 12K	RF45712 12K	RF45712 12K
s721	R734	X	X	RF45715 15K	RF45715 15K	RF45715 15K	RF45715 15K	RF45715 15K	RF45715 15K
s722	XL701	X	X	VS29490 12MHZ	VS29490 12MHZ	VS29490 12MHZ	VS29490 12MHZ	VS29490 12MHZ	VS29490 12MHZ
s723	C726	X	X	US06112 10P	US06112 10P	US06112 10P	US06112 10P	US06112 10P	US06112 10P
s724	R716	X	X	RD35510 100	RD35510 100	RD35510 100	RD35510 100	RD35510 100	RD35510 100

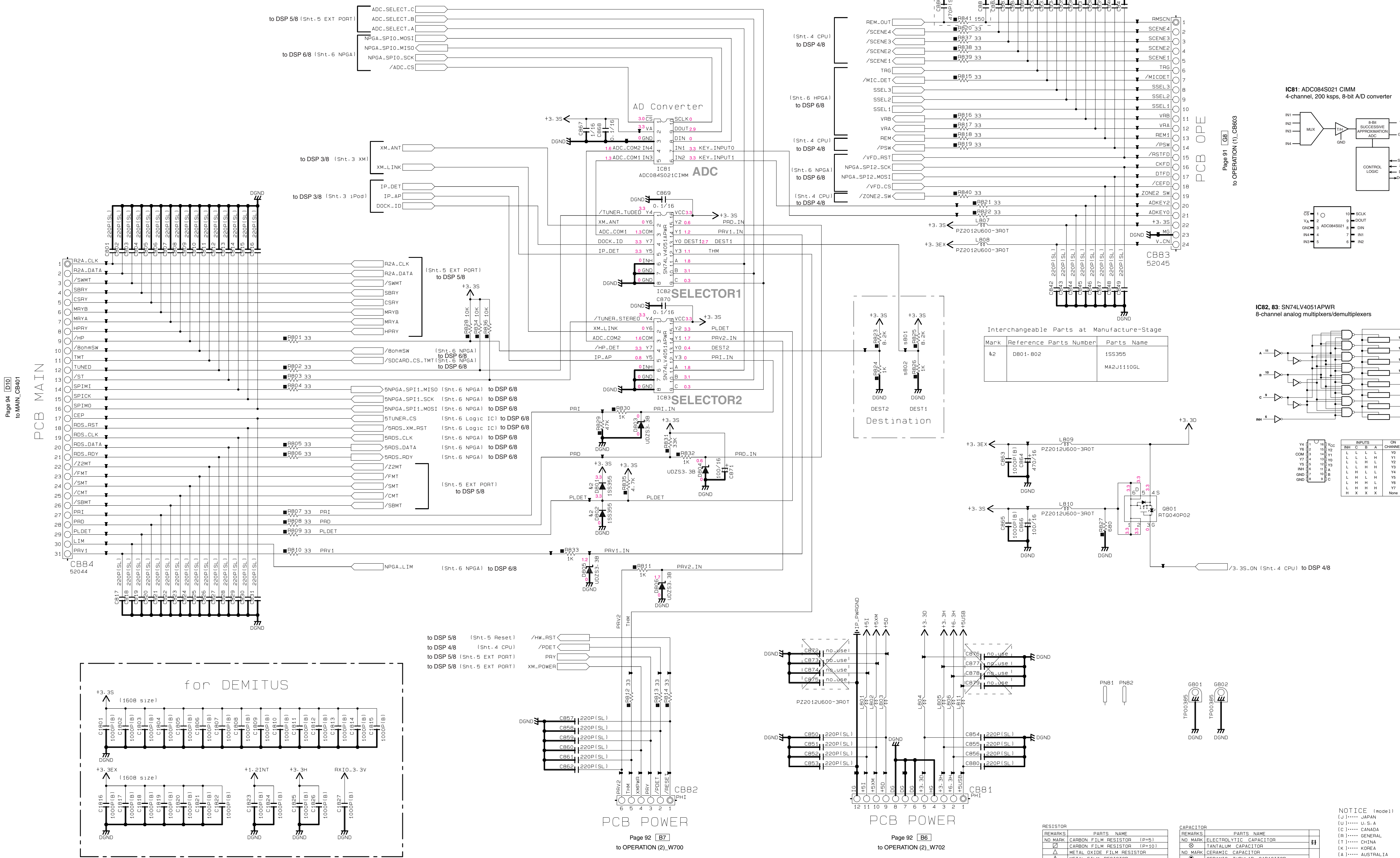


Page 91 [L] to OPERATION (6), W6006 (R, T, K, A, B, G, E, F, L models)

\* All voltages are measured with a 10MΩ/V DC electronic voltmeter.  
 \* Components having special characteristics are marked with a triangle and must be replaced with parts having specifications equal to those originally installed.  
 \* Schematic diagram is subject to change without notice.

DSP 8/8

Destination Part List										
sxx	LOC	J	UC	R	TA	K	B	GEF	L	DESTINATION
s001	R025	RD35602 8.2K	RD35602 8.2K	RD35600 8.2K	RD35606 5.6K	RD35647 4.7K	RD35633 3.3K	RD35618 1.8K	RD35608 6.8K	DESTINATION DETECTION
s002	R026	RD35610 1K	RD35622 2.2K	RD35633 3.3K	RD35656 5.6K	RD35668 6.8K	RD35682 8.2K	RD35682 8.2K	RD35647 4.7K	



Page 94 [D10] to MAIN\_CB401

Page 81 [C8] to OPERATION (1)\_CB803

Page 92 [B7] to OPERATION (2)\_W700

Page 92 [B6] to OPERATION (2)\_W702

\* All voltages are measured with a 10MΩ/V DC electronic voltmeter.  
 \* Components having special characteristics are marked with a triangle and must be replaced with parts having specifications equal to those originally installed.  
 \* Schematic diagram is subject to change without notice.

REMARKS	PARTS NAME	REMARKS	PARTS NAME
NO MARK	CARBON FILM RESISTOR (P=5)	NO MARK	ELECTROLYTIC CAPACITOR
□	CARBON FILM RESISTOR (P=10)	⊗	TANTALUM CAPACITOR
△	METAL OXIDE FILM RESISTOR	NO MARK	CERAMIC CAPACITOR
▲	METAL FILM RESISTOR	⊙	CERAMIC TUBULAR CAPACITOR
⊠	METAL PLATE RESISTOR	⊖	POLYESTER FILM CAPACITOR
⊞	FIRE PROOF CARBON FILM RESISTOR	○	POLYSTYRENE FILM CAPACITOR
⊚	CEMENT MOLDED RESISTOR	⊕	MICA CAPACITOR
⊛	SEMI VARIABLE RESISTOR	⊖	POLYPROPYLENE FILM CAPACITOR
■	CHIP RESISTOR	⊙	SEMICONDUCTIVE CERAMIC CAPACITOR

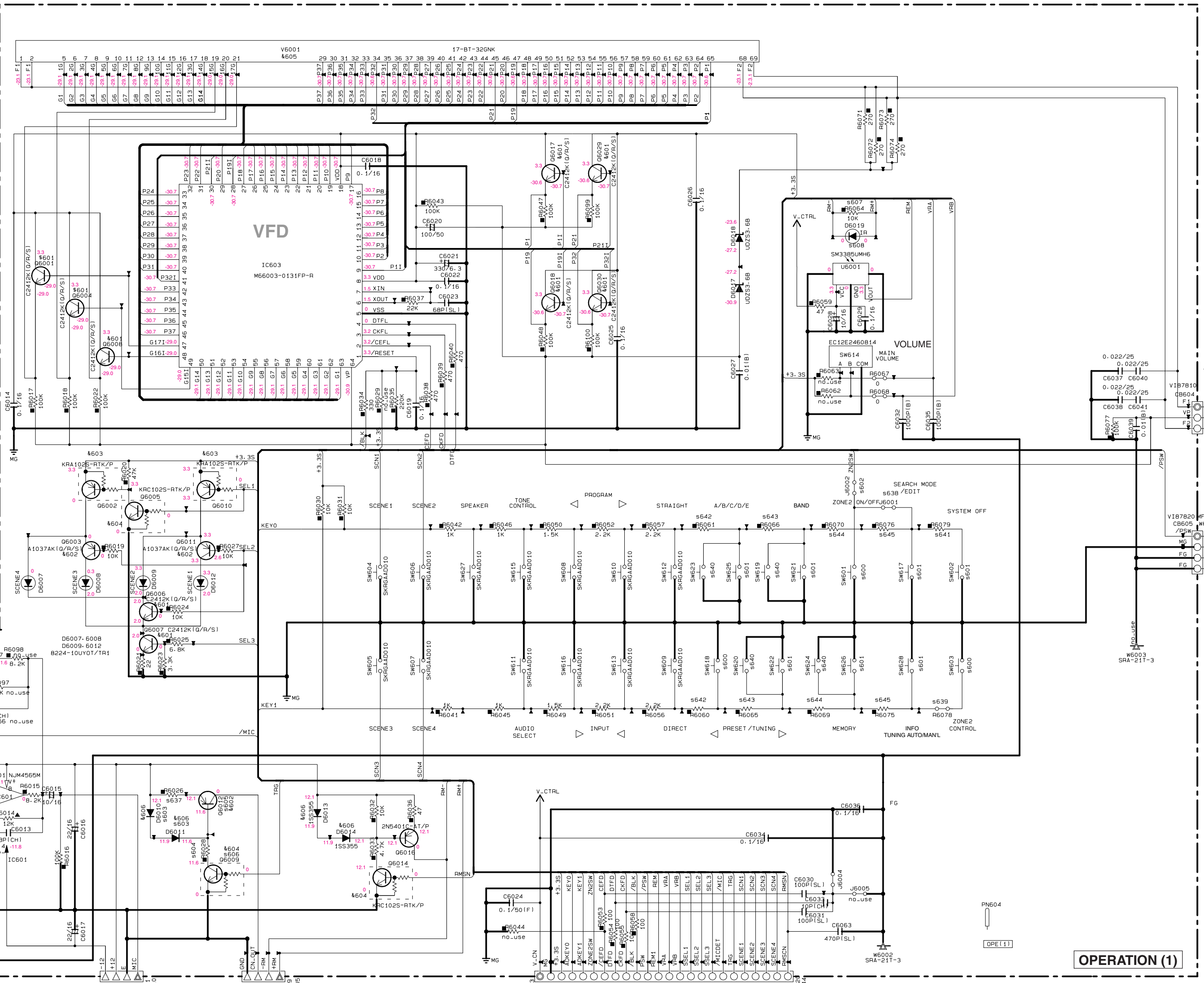
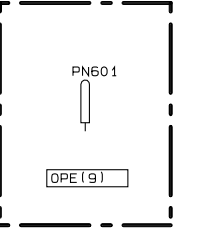
NOTICE (model)  
 (J)..... JAPAN  
 (U)..... U.S.A  
 (C)..... CANADA  
 (R)..... GENERAL  
 (T)..... CHINA  
 (K)..... KOREA  
 (A)..... AUSTRALIA  
 (B)..... BRITISH  
 (G)..... EUROPE  
 (L)..... SINGAPORE  
 (E)..... SOUTH EUROPE  
 (V)..... TAIWAN  
 (F)..... RUSSIAN

OPERATION 1/2

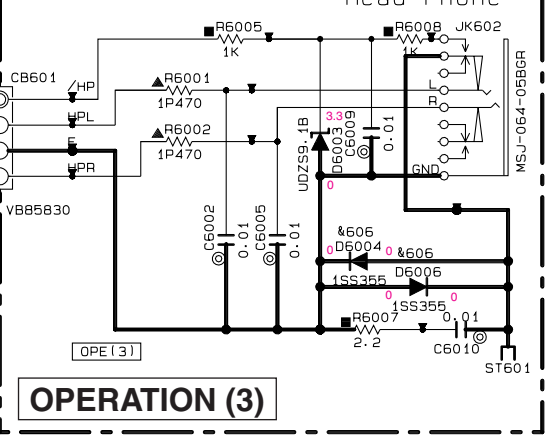
REMARKS	PARTS NAME
NO MARK	CARBON FILM RESISTOR (P=5)
□	CARBON FILM RESISTOR (P=10)
△	METAL OXIDE FILM RESISTOR
▲	METAL FILM RESISTOR
⊠	METAL PLATE RESISTOR
⊞	FIRE PROOF CARBON FILM RESISTOR
⊞	CEMENT MOLDED RESISTOR
⊞	SEMI VARIABLE RESISTOR
⊞	CHIP RESISTOR

REMARKS	PARTS NAME
NO MARK	ELECTROLYTIC CAPACITOR
⊙	TANTALUM CAPACITOR
NO MARK	CERAMIC CAPACITOR
⊙	CERAMIC TUBULAR CAPACITOR
⊙	POLYESTER FILM CAPACITOR
⊙	POLYSTYRENE FILM CAPACITOR
⊙	MICA CAPACITOR
⊙	POLYPROPYLENE FILM CAPACITOR
⊙	SEMICONDUCTIVE CERAMIC CAPACITOR
⊙	POLYBENZENE SULFIDE FILM CAPACITOR

OPERATION (9)

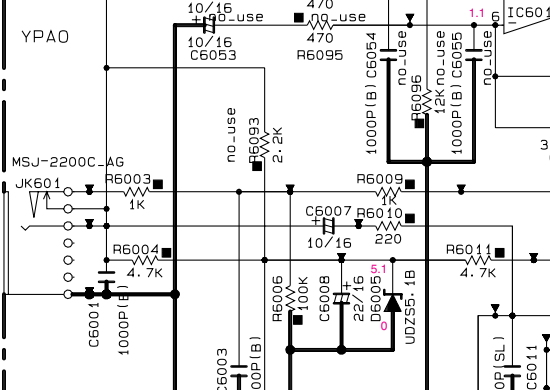


PHONES



OPERATION (3)

YPAO



OPTIMIZER MIC

Interchangeable Parts at Manufacture-Stage

Mark	Reference Parts Number	Parts Name
4601	06001-6004-6006-6008	25C2412K1G/R/S1
	6017-6018-6029-6030	289H18R/18H/S1
		K1C38785-V-GR-RTK/P
4602	06003-6011-6012	25A1037AK1G/R/S1
		K1A15045-V-GR-RTK/P
4603	06002-6010	KR41025-RTK/P
		DT1414EXA
4604	06005-6009-6014	KRC1025-RTK/P
		DT114EXA
4605	V6001	17-B1-329NK
		HNA-17M06T
4606	06001-6002-6004-6006	15S395
	6010-6011-6013-6014	M42J11109L
	6020-6027	

Key detection for A/D port

Key input (A/D) pull-up resistance 10 k-ohms

U.C.R.T.K.A.G.E.F.L models	Ohm	0	+1.0k	+1.5k	+2.2k	+2.2k	+3.3k	+4.7k	+6.8k	+10.0k	+22.0k
V	0-0.2	0.2-0.4	0.4-0.7	0.7-1.0	1.0-1.3	1.3-1.6	1.6-1.9	1.9-2.1	2.1-2.4	2.4-2.7	2.7-3.0
INPUT 0 (7 pin)	-	SPEAKERS	AB/DIFF	CONTROL	PROGRAM	PROGRAM	PROGRAM	STRAIGHT	AB/C/D/E	BAND	ZONE2 ON/OFF
INPUT 1 (6 pin)	-	AUDIO SELECT	INPUT	INPUT	INPUT	DIRECT	PRESET/TUNING	TUNING	MEMORY	INFO TUNING	ZONE CONTROL

B model

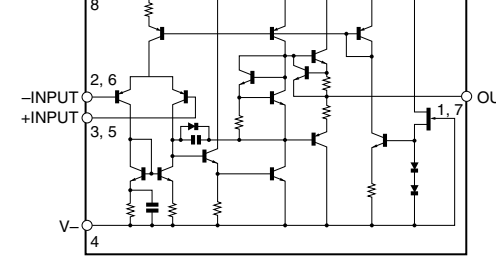
Ohm	0	+1.0k	+1.5k	+2.2k	+2.2k	+3.3k	+4.7k	+6.8k	+10.0k	+22.0k
V	0-0.2	0.2-0.4	0.4-0.7	0.7-1.0	1.1-1.3	1.3-1.6	1.6-1.9	1.9-2.1	2.1-2.4	2.4-2.7
INPUT 0 (7 pin)	-	SPEAKERS	AB/DIFF	CONTROL	PROGRAM	PROGRAM	PROGRAM	STRAIGHT	AB/C/D/E	BAND
INPUT 1 (6 pin)	-	AUDIO SELECT	INPUT	INPUT	INPUT	DIRECT	PRESET/TUNING	TUNING	MEMORY	INFO TUNING

NOTICE (mode1)

- (J)..... JAPAN
- (U)..... U. S. A
- (C)..... CANADA
- (R)..... GENERAL
- (T)..... CHINA
- (K)..... KOREA
- (A)..... AUSTRALIA
- (B)..... BRITISH
- (G)..... EUROPE
- (L)..... SINGAPORE
- (E)..... SOUTH EUROPE
- (V)..... TAIWAN
- (F)..... RUSSIAN

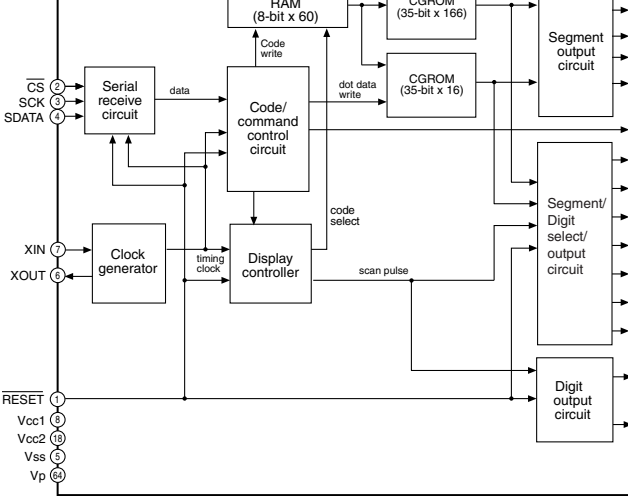
IC601: NJM4558M

Dual operational amplifier

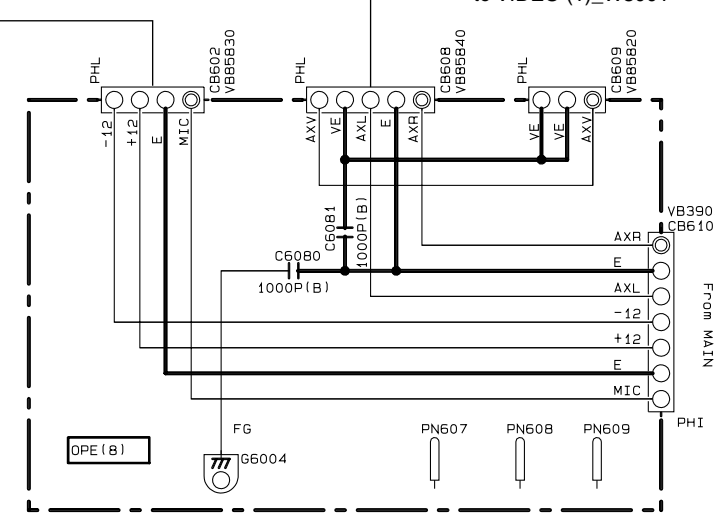


IC603: M6003-0131FP-R

18 digit 5 x 7 segment VFD controller/driver

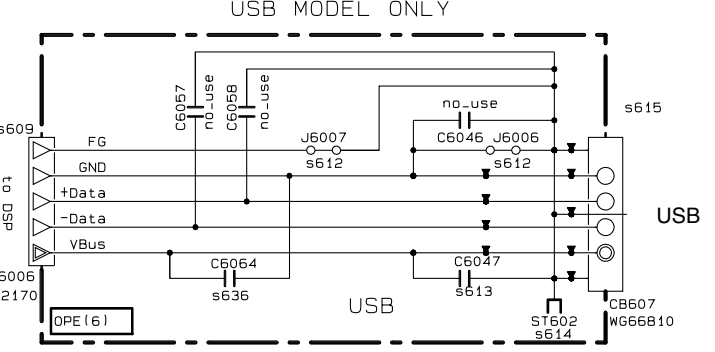


Page 95 E2 to VIDEO (1)\_W3001



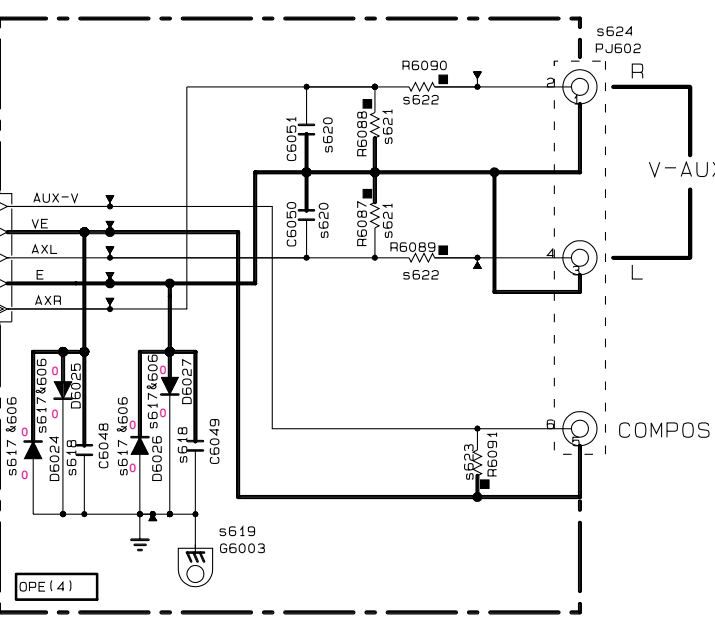
OPERATION (8)

Page 94 E3 to MAIN\_W401



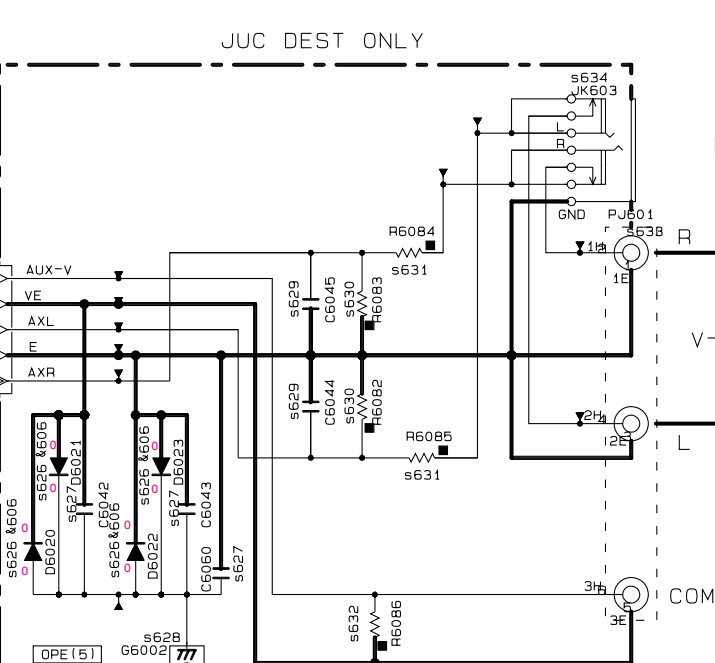
OPERATION (6)

R, T, K, A, B, G, E, F, L models



OPERATION (4)

R, T, K, A, B, G, E, F, L models



OPERATION (5)

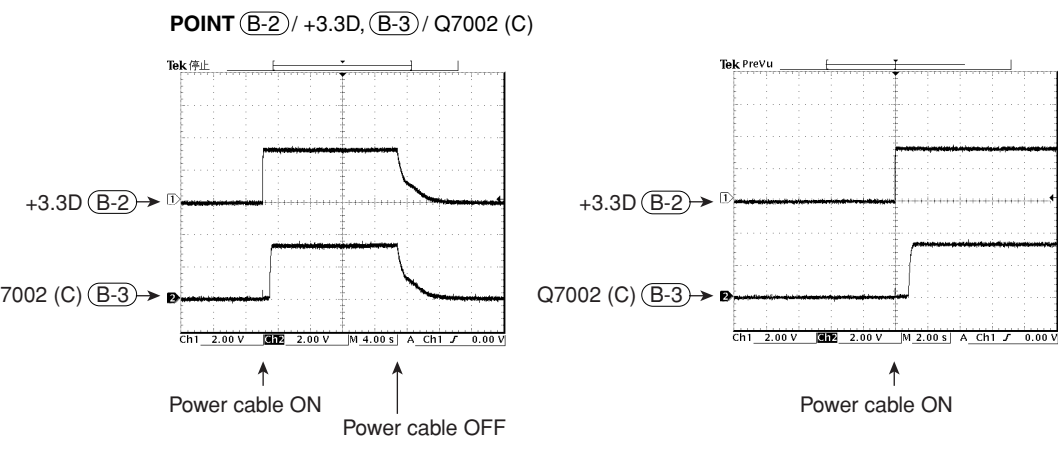
U, C models

\* All voltages are measured with a 10MΩ/V DC electronic voltmeter.  
 \* Components having special characteristics are marked !, and must be replaced with parts having specifications equal to those originally installed.  
 \* Schematic diagram is subject to change without notice.

OPERATION 2/2

Interchangeable Parts at Manufacture-Stage

Mark	Reference Parts Number	Parts Name
&700	Q7000-7002	DTC114EKA KRC104S-RTK/P
&701	D7005-7006, 7010-7016 7017	1S5355 MA2J1110GL
&702	D7014, 7015	KBP1036 RS103
&703	D7018, 7019	RS403M-B-C-JB0 TS4B03G-07
&704	Q7001	2SC2413K (Q/R/S) KTC3B755-Y, GR-RTK/P 2SD0614RL/AOL (Q/R/S)



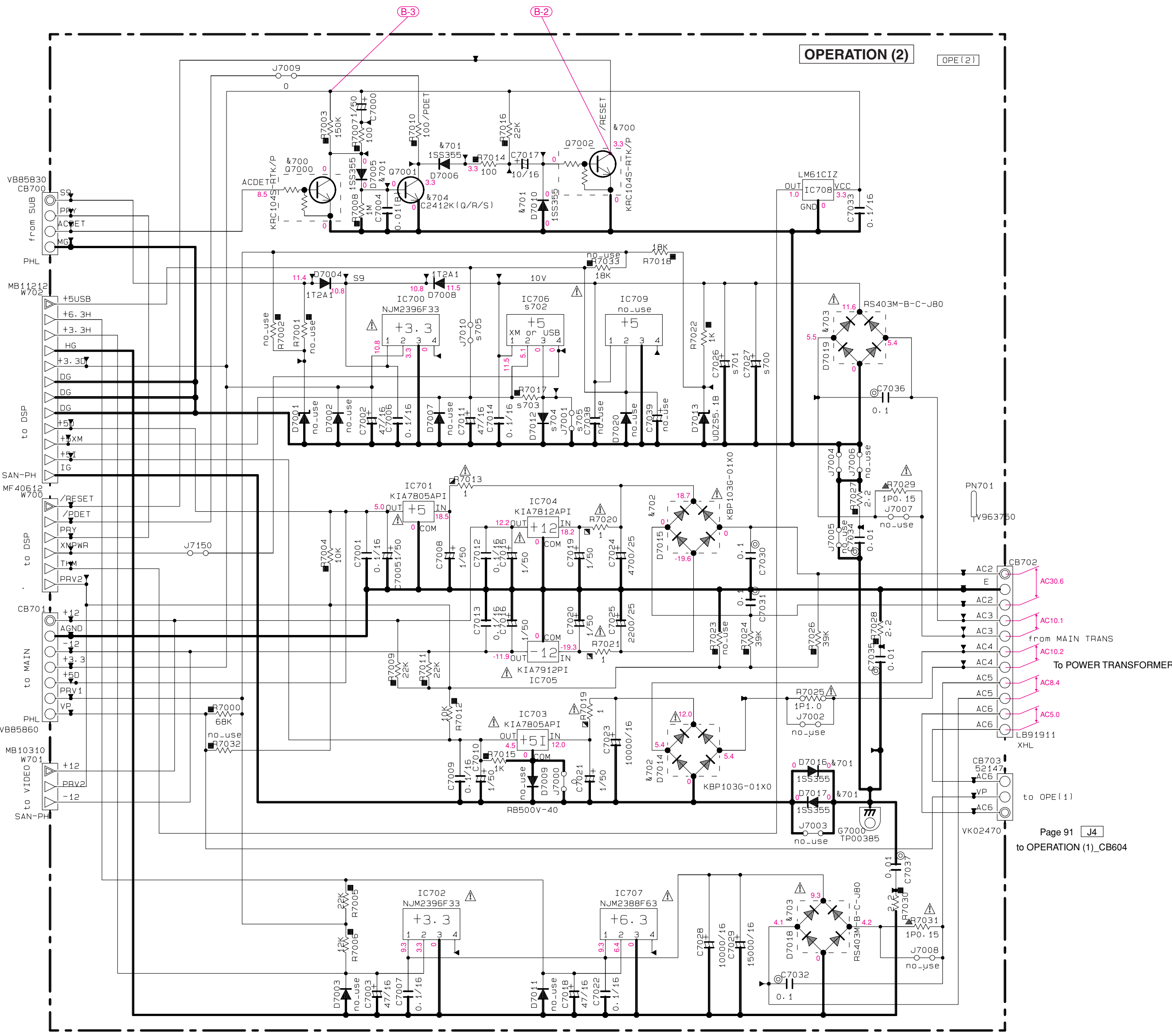
Page 96 [G9]  
to VIDEO (3)\_W3401

Page 90 [J9]  
to DSP\_CB81

Page 90 [G9]  
to DSP\_CB82

Page 93 [I6]  
to MAIN\_W506

Page 95 [B2]  
to VIDEO (1)\_CB301



Page 91 [J4]  
to OPERATION (1)\_CB604

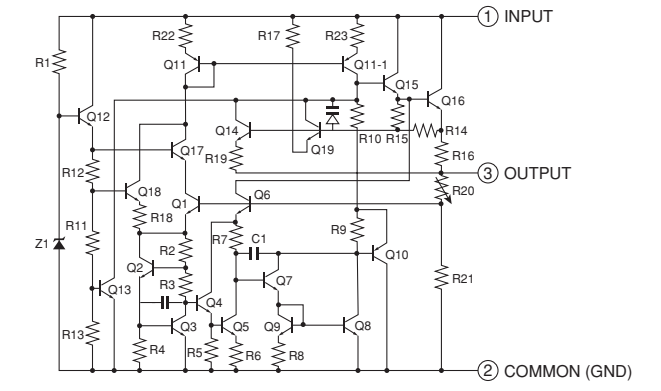
REMARKS	PARTS NAME	REMARKS	PARTS NAME
ND MARK	CARBON FILM RESISTOR (P=5)	ND MARK	ELECTROLYTIC CAPACITOR
△	CARBON FILM RESISTOR (P=10)	⊗	TANTALUM CAPACITOR
▲	METAL OXIDE FILM RESISTOR	ND MARK	CERAMIC CAPACITOR
⊠	METAL FILM RESISTOR	⊙	CERAMIC TUBULAR CAPACITOR
⊞	METAL PLATE RESISTOR	⊚	POLYESTER FILM CAPACITOR
⊟	FINE PROOF CARBON FILM RESISTOR	⊛	POLYSTYRENE FILM CAPACITOR
⊠	CEMENT MOUNTED RESISTOR	⊜	MICA CAPACITOR
⊡	SEMI VARIABLE RESISTOR	⊝	POLYPROPYLENE FILM CAPACITOR
■	CHIP RESISTOR	⊞	SEMICONDUCTIVE CERAMIC CAPACITOR

\* All voltages are measured with a 10MΩ/V DC electronic voltmeter.  
\* Components having special characteristics are marked with a triangle and must be replaced with parts having specifications equal to those originally installed.  
\* Schematic diagram is subject to change without notice.

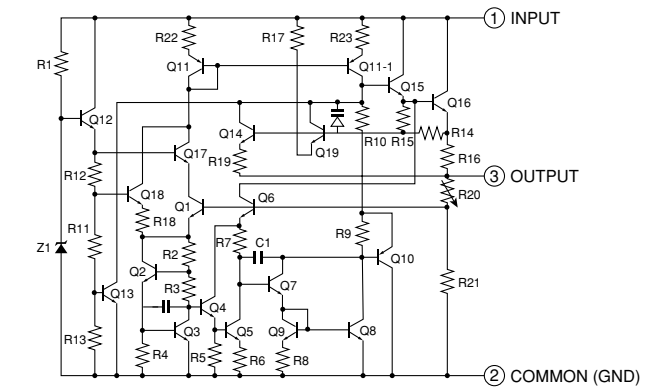
sXX	LOC	UC	RTKAGEFL	B
s600	SW601 SW618 SW603	WD4B310 SKRGAAD010	WD4B310 SKRGAAD010	X
s601	SW602 SW617 SW621 SW625 SW625 SW622	WD4B310 SKRGAAD010	WD4B310 SKRGAAD010	X
s602	J6002	VN50000 0	VN50000 0	X
s603	D6010 D6011	VT33290 1S5355	VT33290 1S5355	X
s604	R6028	RD35647 4.7K	RD35647 4.7K	X
s605	Q6012	VV56540 A1037AK (Q/R/S)	VV56540 A1037AK (Q/R/S)	X
s606	Q6009	VV65540 DTC114EKA	VV65540 DTC114EKA	X
s607	R6054	RD35710 10K	RD35710 10K	X
s608	D6019	V256820 SIR-505STA47	V256820 SIR-505STA47	X
s609	W6006	X	WN02170 WN02170	
s612	J6007 J6006	X	RD35000 0	RD35000 0
s613	C6047	X	US06210 100P (SL)	US06210 100P (SL)
s614	ST602	X	WA78970 WA78970	
s615	CB607	X	WG56810 UBA-4R-D141T-4D	WG56810 UBA-4R-D141T-4D
s616	W6008	X	WJ52450 SAN-PH	WJ52450 SAN-PH
s617	D6026 D6027 D6024	X	VT33290 1S5355	VT33290 1S5355
s618	C6049 C6048	X	US13510 0.1/16	US13510 0.1/16
s619	G6003	X	VR46340 TP00385	VR46340 TP00385
s620	C6050 C6051	X	US06222 220P (SL)	US06222 220P (SL)
s621	R6088 R6087	X	RD35847 470K	RD35847 470K
s622	R6090 R6089	X	RD35547 470	RD35547 470
s623	R6091	X	RD35475 75	RD35475 75
s624	PJ602	X	WJ11750 MSP-303H-BBB-11	WJ11750 MSP-303H-BBB-11
s625	W6007	X	WJ62450 SAN-PH	WJ62450 SAN-PH
s626	D6020 D6021 D6022 D6023	X	VT33290 1S5355	VT33290 1S5355
s627	C6043 C6042 C6060	X	US13510 0.1/16	US13510 0.1/16
s628	G6002	X	VR46340 TP00385	VR46340 TP00385
s629	C6045 C6044	X	US06368 6800P (B)	US06368 6800P (B)
s630	R6082 R6083	X	RD35847 470K	RD35847 470K
s631	R6085 R6084	X	RD35547 470	RD35547 470
s632	R6086	X	RD35475 75	RD35475 75
s633	PJ601	X	WJ11750 MSP-303H-BBB-11	WJ11750 MSP-303H-BBB-11
s634	JK603	X	WJ11740 MSJ-035-05A	WJ11740 MSJ-035-05A
s636	C6054	X	US12510 1/10	US12510 1/10
s637	R6026	X	RD35427 27	RD35427 27
s638	J6001	X	X	X
s639	R6078	X	RD35722 22K	RD35722 22K
s640	SW619 SW624 SW620 SW623	X	X	X
s641	R6079	X	RD35722 22K	RD35722 22K
s642	R6060 R6061	X	RD35633 3.3K	RD35633 3.3K
s643	R6065 R6066	X	RD35647 4.7K	RD35647 4.7K
s644	R6069 R6070	X	RD35668 6.8K	RD35668 6.8K
s645	R6076 R6075	X	RD35710 10K	RD35710 10K
s700	C7027	X	WG60200 15000/16	WG60200 15000/16
s701	C7026	X	UR03947 4700/16	UR03947 4700/16
s702	IC706	X	X6143A0 NJM238BF05	X6143A0 NJM238BF05
s703	R7017	X	RD35610 1K	RD35610 1K
s704	D7012	X	V237660 RB500V-40	V237660 RB500V-40
s705	J7001 J7010	X	VN50000	VN50000

NOTICE (model)  
(J)..... JAPAN  
(U)..... U.S.A  
(C)..... CANADA  
(R)..... GENERAL  
(T)..... CHINA  
(K)..... KOREA  
(A)..... AUSTRALIA  
(B)..... BRITISH  
(G)..... EUROPE  
(L)..... SINGAPORE  
(E)..... SOUTH EUROPE  
(V)..... TAIWAN  
(F)..... RUSSIAN

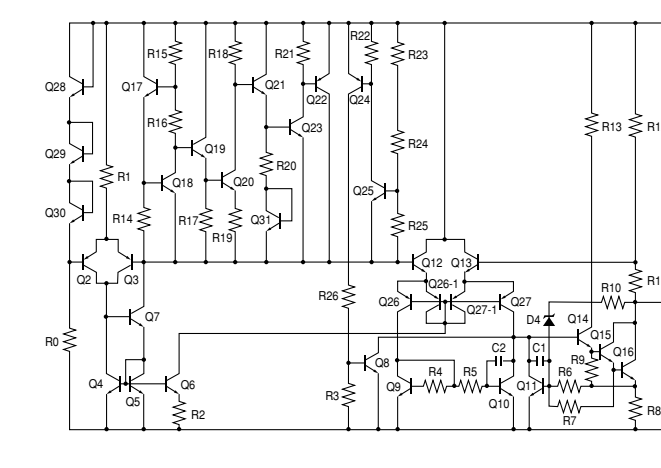
IC701, 703: KIA7805API  
Voltage regulator



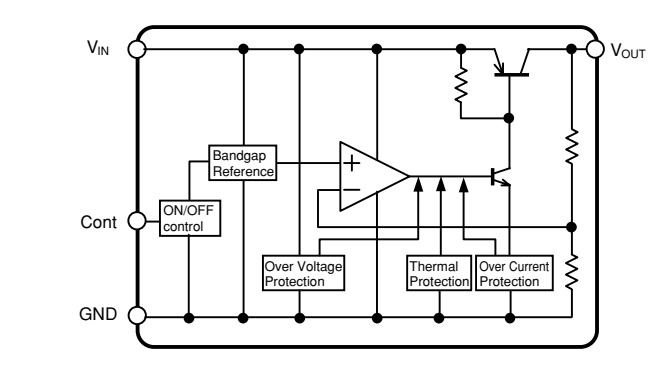
IC704: KIA7812API  
Voltage regulator



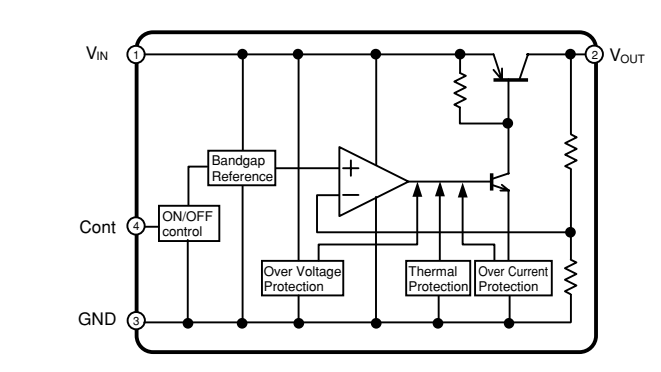
IC705: KIA7912PI  
Voltage regulator



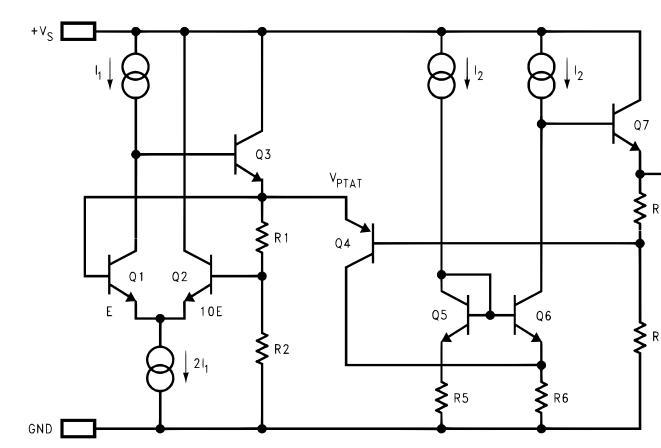
IC706: NJM238F05  
Low dropout voltage regulator with ON/OFF control



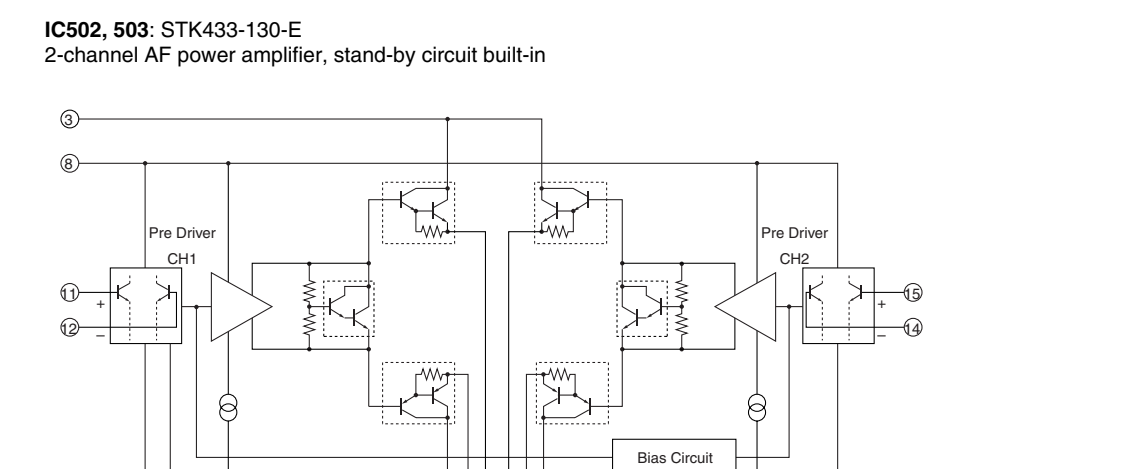
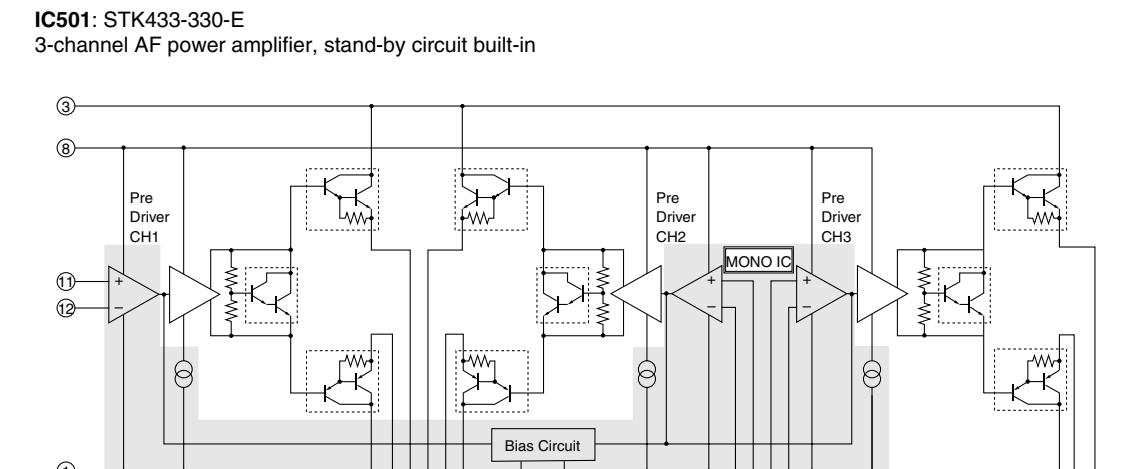
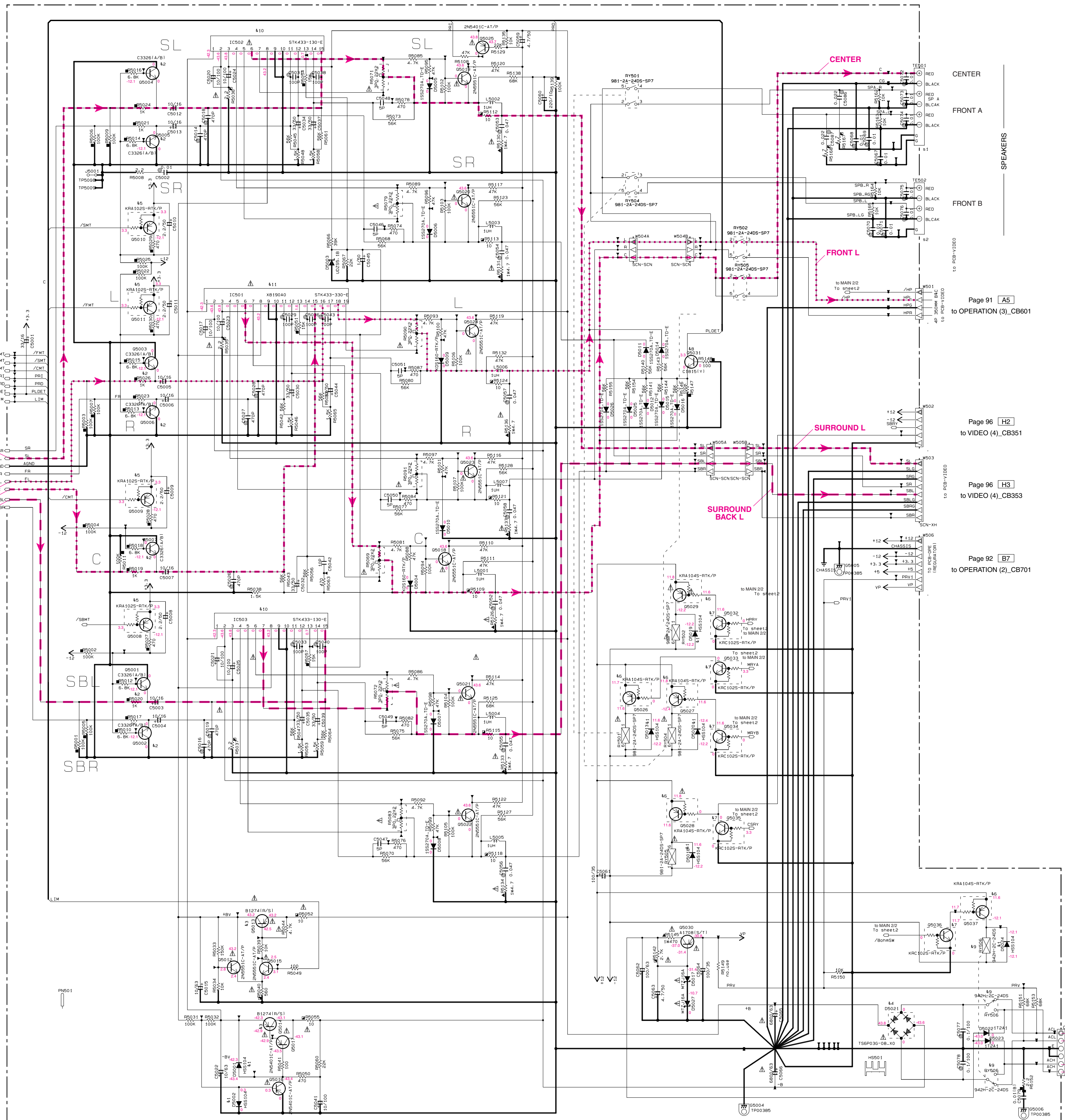
IC707: NJM238F63  
Low dropout voltage regulator with ON/OFF control



IC708: LM61CIZ  
Temperature sensor



MAIN 1/2



CENTER  
FRONT A  
FRONT B  
FRONT L  
SURROUND L  
SURROUND BACK L

Page 91 [A5]  
to OPERATION (3)\_CB601

Page 96 [H2]  
to VIDEO (4)\_CB351

Page 96 [H3]  
to VIDEO (4)\_CB353

Page 92 [B7]  
to OPERATION (2)\_CB701

Interchangeable Parts at Manufacture-Stage

Mark	Reference Parts Number	Parts Name
41	05001-5002-5013 5018-5020-5024	RES104 155133 155176
42	05001-5007	25C33261A/B1 25C33261B1 25C593841A/B1 25C19381F15/1 25C2724K
43	05013-5014	25H12741H/S1 25H15551E/F1 K1A1046-Y-U/P
44	05021	TSP030-08-X0 R5603W-B-C-J80
45	05008-5011	KRA1025-RTK/P DTA114EK4
46	05020-5029-5037	KRA1045-RTK/P DTA144EK4
47	05032-5036	KRC1025-RTK/P DTC114EK4
48	05031	25C18101Y1 K1C3196 Y-A1
49	RY506	942H-2C-2405 DH2402-O-G
410	IC502-503	STK-433-130-E IX7427A01 STK-433-130-E IX7427B01 STK-433-330-E IX8190A01 STK-433-330-E IX8190B01

REMARKS PARTS NAME

REMARKS	PARTS NAME
NO MARK	ELECTROLYTIC CAPACITOR
⊗	TANTALUM CAPACITOR
NO MARK	CERAMIC CAPACITOR
⊙	CERAMIC TUBULAR CAPACITOR
⊖	POLYESTER FILM CAPACITOR
⊕	POLYSTYRENE FILM CAPACITOR
⊘	MICA CAPACITOR
⊙	POLYPROPYLENE FILM CAPACITOR
⊖	SEMICONDUCTIVE CERAMIC CAPACITOR
⊕	POLYPHENYLENE SULFIDE FILM CAPACITOR
NO MARK	CARBON FILM RESISTOR [D=5]
⊖	CARBON FILM RESISTOR [D=10]
Δ	METAL OXIDE FILM RESISTOR
⊖	METAL FILM RESISTOR
⊖	METAL PLATE RESISTOR
⊖	FIRE PROOF CARBON FILM RESISTOR
⊖	CEMENT MOLDED RESISTOR
⊖	SEMI-VARIABLE RESISTOR
■	CHIP RESISTOR

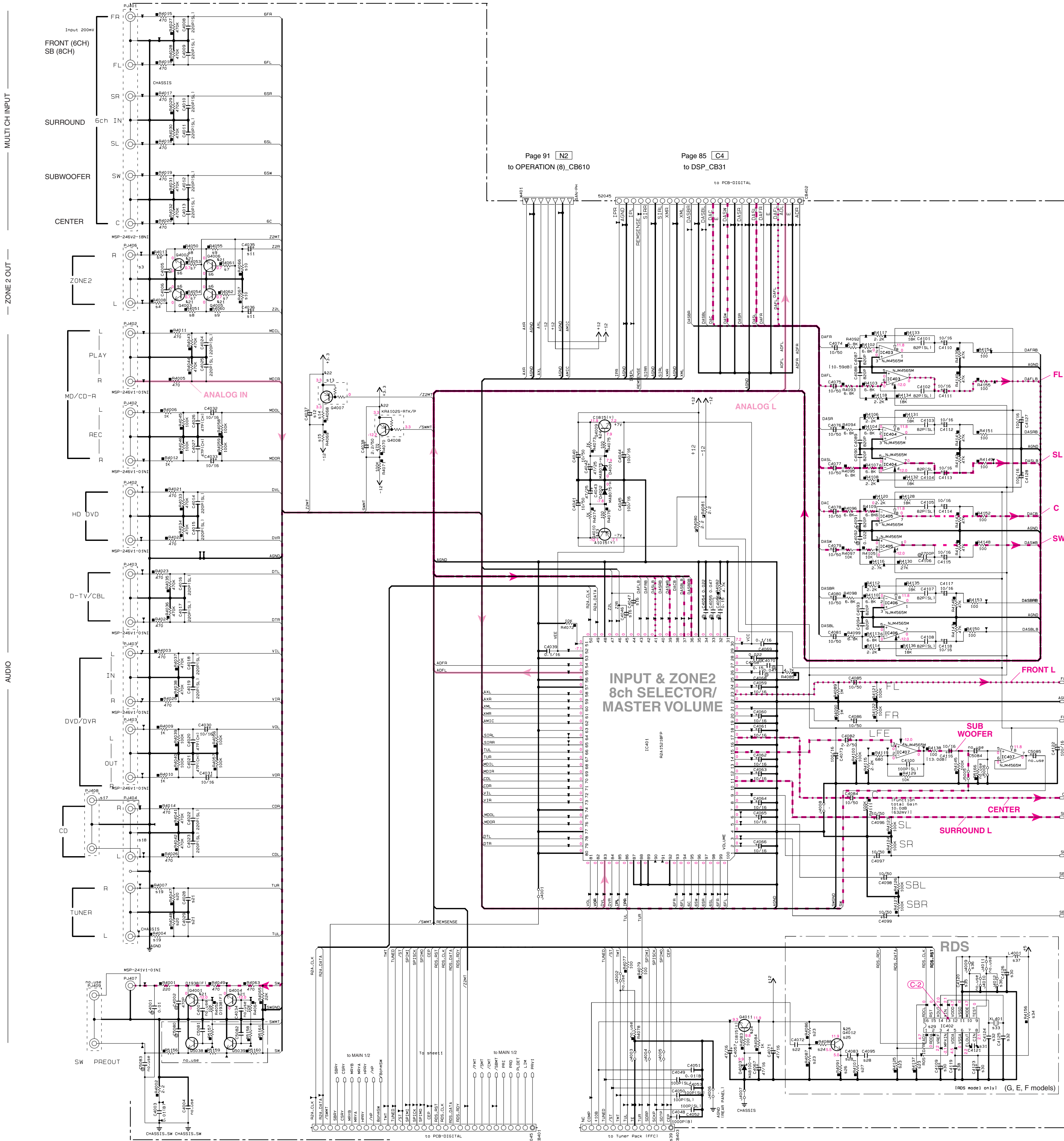
NOTICE [mode1]

(J)..... JAPAN  
(U)..... U.S.A  
(C)..... CANADA  
(R)..... GENERAL  
(T)..... CHINA  
(K)..... KOREA  
(A)..... AUSTRALIA  
(B)..... BRITISH  
(G)..... EUROPE  
(L)..... SINGAPORE  
(E)..... SOUTH EUROPE  
(V)..... TAIWAN  
(F)..... RUSSIAN

\* All voltages are measured with a 10MΩ/V DC electronic voltmeter.  
\* Components having special characteristics are marked !, and must be replaced with parts having specifications equal to those originally installed.  
\* Schematic diagram is subject to change without notice.



MAIN 2/2

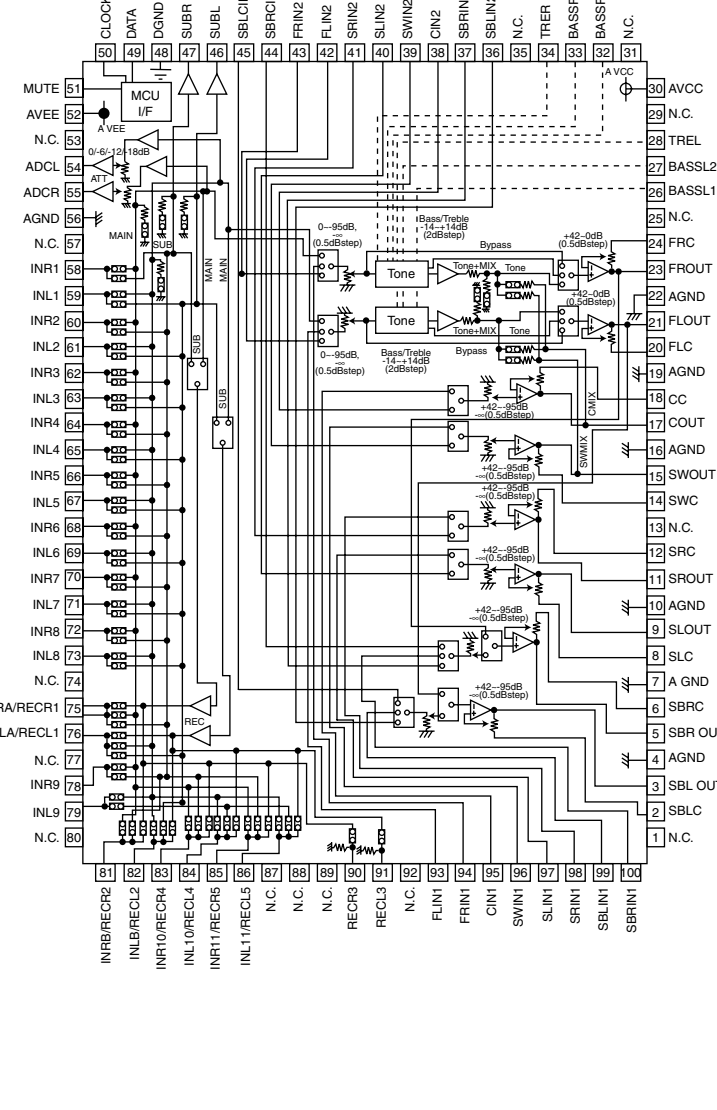


Interchangeable Parts at Manufacture-Stage

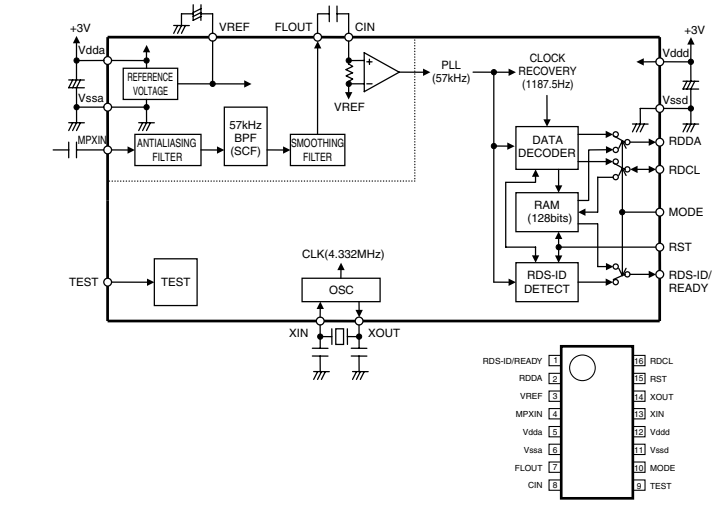
Mark	Reference Parts Number	Parts Name
421	04001-4006	25D1938(F) 25C5938(A1A/B1) 25D270-4K
422	04007-4008	KRA1025-RTK/P DTA114EK4
423	04010	25A1015(Y1) KTA1266 Y-AT
424	04009-4011	25C1815(Y1) KTC398 Y-AT
425	04012	25C14051(R/S1) 25C3114(RA1B/R/S1)

DEFINITION	Part List	LOC	J	UCR1A	KL	B	SEP
91	TE001	W56100	W56100	W56110	W56110	W56110	W56110
92	TE002	W56080	W56080	W56090	W56090	W56090	W56090
93	PL400	W56170	W56170	W56170	W56170	W56170	W56170
94	R4008	R03522	R03522	R03522	R03522	R03522	R03522
95	C4006	U50547	U50547	U50547	U50547	U50547	U50547
96	C4002	V27090	V27090	V27090	V27090	V27090	V27090
97	R4001	R03510	R03510	R03510	R03510	R03510	R03510
98	R4003	R03533	R03533	R03533	R03533	R03533	R03533
99	R4005	R03568	R03568	R03568	R03568	R03568	R03568
100	R4006	R03580	R03580	R03580	R03580	R03580	R03580
101	C4005	U50510	U50510	U50510	U50510	U50510	U50510
102	C4004	U50510	U50510	U50510	U50510	U50510	U50510
103	C4037	U50510	U50510	U50510	U50510	U50510	U50510
104	C4038	U50510	U50510	U50510	U50510	U50510	U50510
105	C4039	U50510	U50510	U50510	U50510	U50510	U50510
106	C4040	U50510	U50510	U50510	U50510	U50510	U50510
107	C4041	U50510	U50510	U50510	U50510	U50510	U50510
108	C4042	U50510	U50510	U50510	U50510	U50510	U50510
109	C4043	U50510	U50510	U50510	U50510	U50510	U50510
110	C4044	U50510	U50510	U50510	U50510	U50510	U50510
111	C4045	U50510	U50510	U50510	U50510	U50510	U50510
112	C4046	U50510	U50510	U50510	U50510	U50510	U50510
113	C4047	U50510	U50510	U50510	U50510	U50510	U50510
114	C4048	U50510	U50510	U50510	U50510	U50510	U50510
115	C4049	U50510	U50510	U50510	U50510	U50510	U50510
116	C4050	U50510	U50510	U50510	U50510	U50510	U50510
117	C4051	U50510	U50510	U50510	U50510	U50510	U50510
118	C4052	U50510	U50510	U50510	U50510	U50510	U50510
119	C4053	U50510	U50510	U50510	U50510	U50510	U50510
120	C4054	U50510	U50510	U50510	U50510	U50510	U50510
121	C4055	U50510	U50510	U50510	U50510	U50510	U50510
122	C4056	U50510	U50510	U50510	U50510	U50510	U50510
123	C4057	U50510	U50510	U50510	U50510	U50510	U50510
124	C4058	U50510	U50510	U50510	U50510	U50510	U50510
125	C4059	U50510	U50510	U50510	U50510	U50510	U50510
126	C4060	U50510	U50510	U50510	U50510	U50510	U50510
127	C4061	U50510	U50510	U50510	U50510	U50510	U50510
128	C4062	U50510	U50510	U50510	U50510	U50510	U50510
129	C4063	U50510	U50510	U50510	U50510	U50510	U50510
130	C4064	U50510	U50510	U50510	U50510	U50510	U50510
131	C4065	U50510	U50510	U50510	U50510	U50510	U50510
132	C4066	U50510	U50510	U50510	U50510	U50510	U50510
133	C4067	U50510	U50510	U50510	U50510	U50510	U50510
134	C4068	U50510	U50510	U50510	U50510	U50510	U50510
135	C4069	U50510	U50510	U50510	U50510	U50510	U50510
136	C4070	U50510	U50510	U50510	U50510	U50510	U50510
137	C4071	U50510	U50510	U50510	U50510	U50510	U50510
138	C4072	U50510	U50510	U50510	U50510	U50510	U50510
139	C4073	U50510	U50510	U50510	U50510	U50510	U50510
140	C4074	U50510	U50510	U50510	U50510	U50510	U50510

IC401: R2A15218FP  
8-channel electronic volume with 11 input selector and tone control



IC402: LC72725KM-UY-TLM-E  
RDS signal demodulation IC



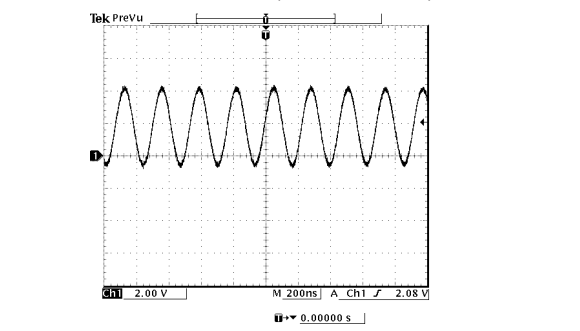
REMARKS	PARTS NAME	UNIT
NO MARK	ELECTROLYTIC CAPACITOR	μF
NO MARK	TANTALUM CAPACITOR	μF
NO MARK	CERAMIC CAPACITOR	μF
NO MARK	CERAMIC TUBULAR CAPACITOR	μF
NO MARK	POLYESTER FILM CAPACITOR	μF
NO MARK	POLYSTYRENE FILM CAPACITOR	μF
NO MARK	MICA CAPACITOR	μF
NO MARK	POLYPROPYLENE FILM CAPACITOR	μF
NO MARK	SEMICONDUCTIVE CERAMIC CAPACITOR	μF

NOTICE (mode)

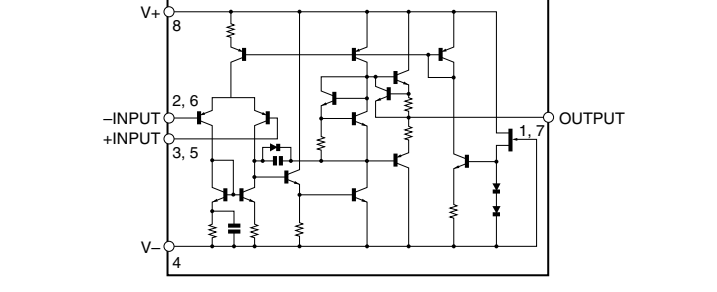
(J) JAPAN  
(U) U.S.A.  
(C) CANADA  
(R) GENERAL  
(T) CHINA  
(K) KOREA  
(A) AUSTRALIA  
(B) BRITISH  
(E) EUROPE  
(L) SINGAPORE  
(S) SOUTH EUROPE  
(V) TAIWAN  
(F) RUSSIAN

REMARKS	PARTS NAME	UNIT
NO MARK	CARBON FILM RESISTOR (P=5)	Ω
NO MARK	CARBON FILM RESISTOR (P=10)	Ω
NO MARK	METAL OXIDE FILM RESISTOR	Ω
NO MARK	METAL FILM RESISTOR	Ω
NO MARK	METAL PLATE RESISTOR	Ω
NO MARK	FIRE PROOF CARBON FILM RESISTOR	Ω
NO MARK	CEMENT MOLDED RESISTOR	Ω
NO MARK	SEMI-VARIABLE RESISTOR	Ω
NO MARK	CHIP RESISTOR	Ω

POINT (C2) XL401 (Pin 13 of IC402)



IC403-407: NJM4565M  
Dual operational amplifier



\* All voltages are measured with a 10MΩ DC electronic voltmeter.  
\* Components having special characteristics are marked with a triangle and must be replaced with parts having specifications equal to those originally installed.  
\* Schematic diagram is subject to change without notice.

VIDEO 1/2

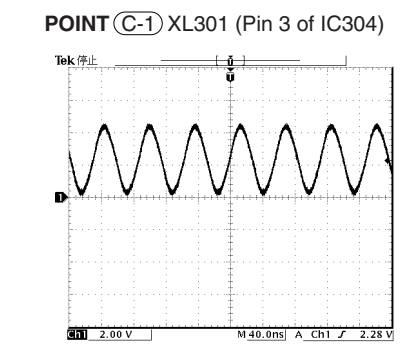
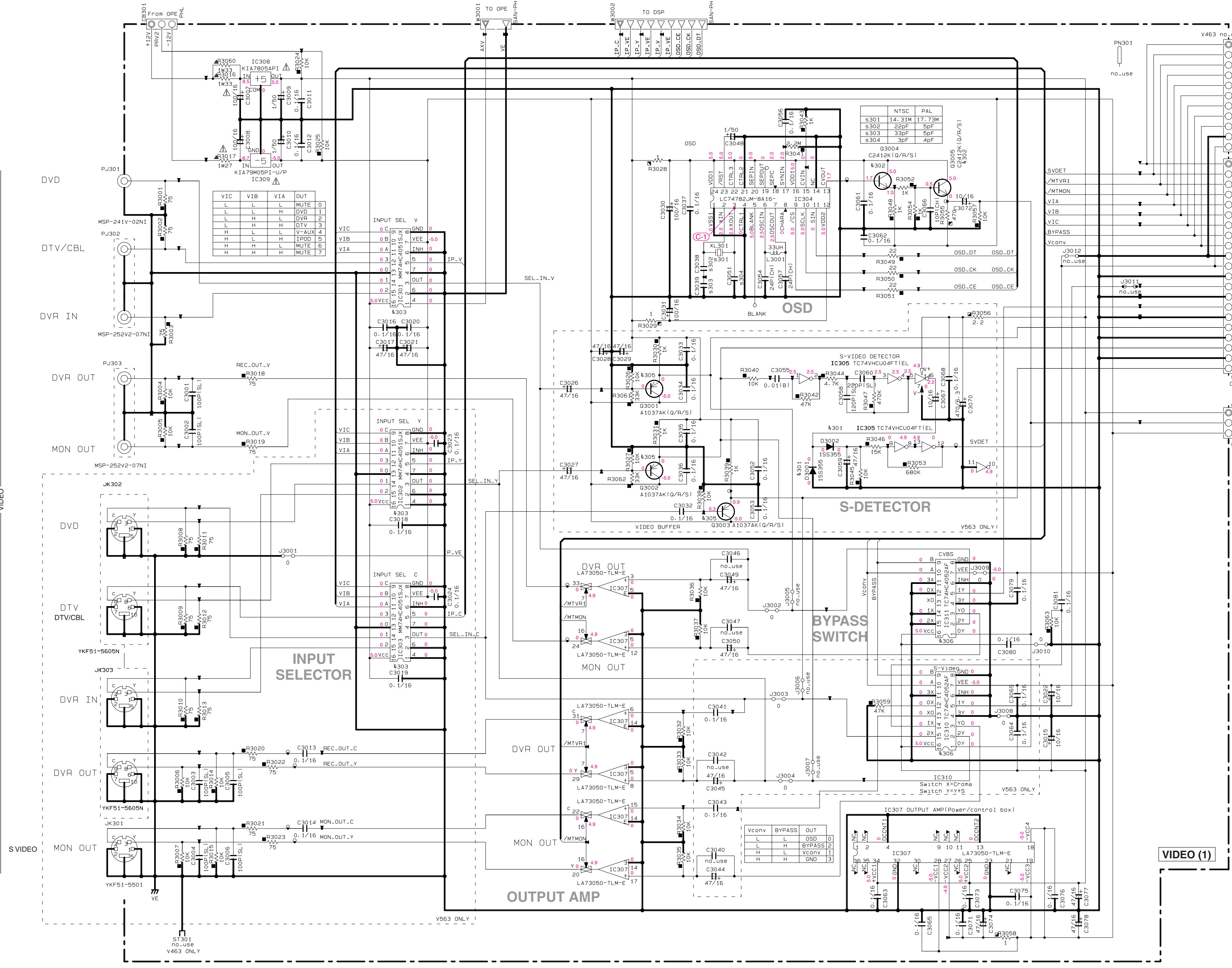
Page 92 [B3] to OPERATION (2)\_W701

Page 91 [M2] to OPERATION (8)\_CB609

Page 85 [B3] to DSP\_CB32

Interchangeable Parts at Manufacture-Stage

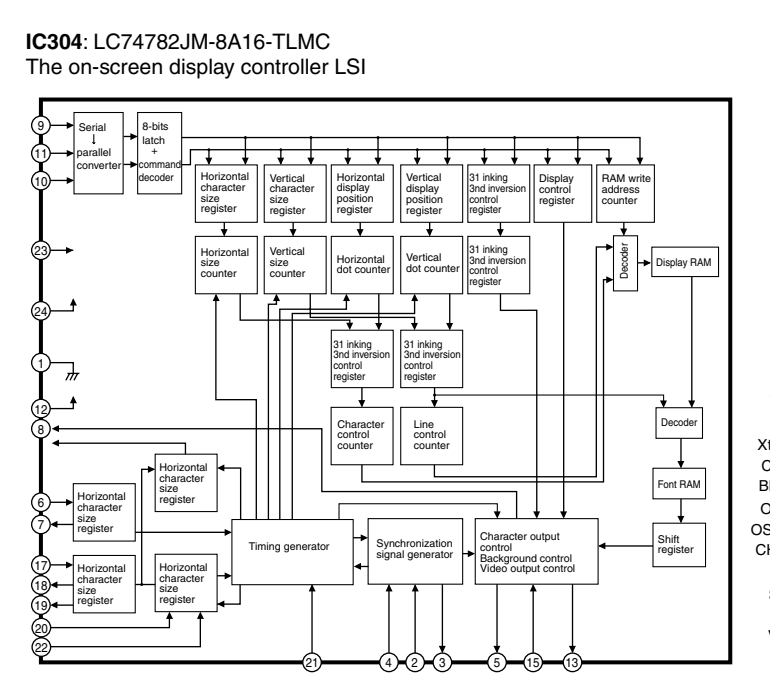
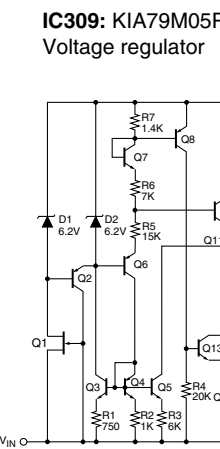
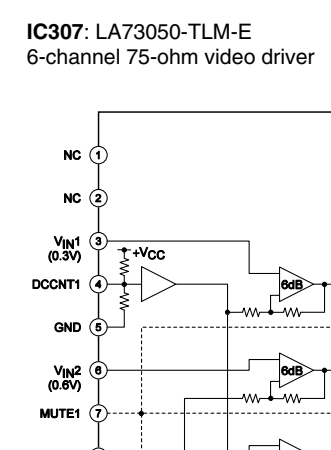
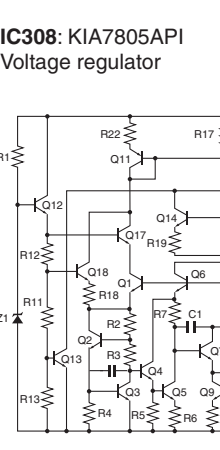
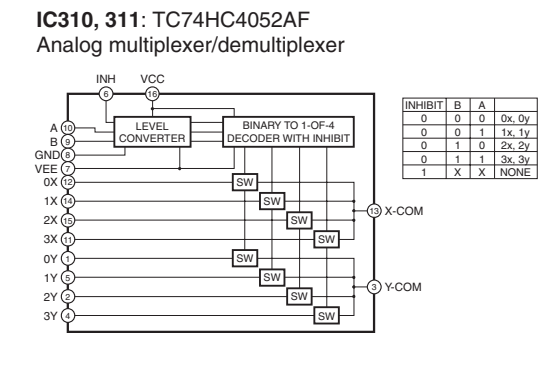
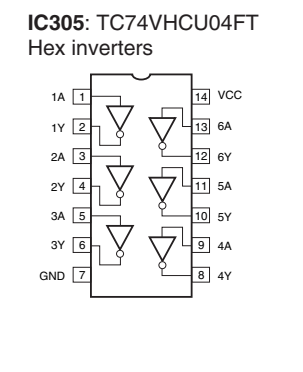
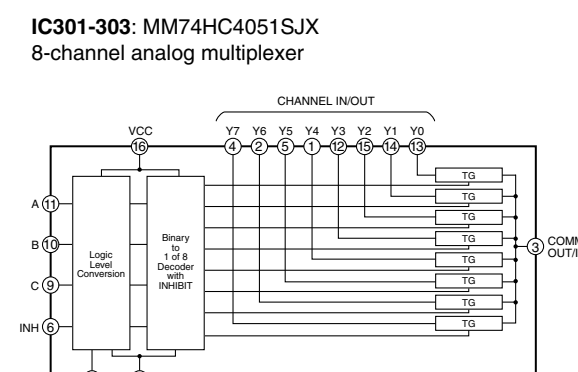
Mark	Reference Parts Number	Parts Name
4301	D3001-3002-3201-3217 D3651-3652	1SS395 MA2J1110GL
4302	Q3004-3005	2SC2412K (Q/R/S) 2SD691ARL/AQL (Q/R/S) KT3C3875S-Y-GR-RTK/P
4303	IC301-303	MM74HC4051SJX.NL TC74HC4051AF [EL.F]
4304	IC327	MM74HC4053SJX.NL TC74HC4053AF [EL.F]
4305	Q3001-3003-3201-3203	2SA1037AK (Q/R/S) KTA1504S-Y-GR-RTK/P
4306	IC310-311-321-324	TC74HC4052AF [EL.F] MM74HC4052SJX.NL
4307	D3401-3501-3502	H5S104 1SS133 1SS176
4308	Q3402-3404	2SA1015(Y) KTA1266(Y)
4309	D3501-3503	DTA114ESA KRA102M-AT



NOTICE (model1)  
 (J)..... JAPAN  
 (U)..... U.S.A  
 (C)..... CANADA  
 (R)..... GENERAL  
 (T)..... CHINA  
 (K)..... KOREA  
 (A)..... AUSTRALIA  
 (B)..... BRITISH  
 (G)..... EUROPE  
 (L)..... SINGAPORE  
 (E)..... SOUTH EUROPE  
 (V)..... TAIWAN  
 (F)..... RUSSIAN

REMARKS	PARTS NAME
NO MARK	CARBON FILM RESISTOR (P=5)
□	CARBON FILM RESISTOR (P=10)
△	METAL OXIDE FILM RESISTOR
T	METAL FILM RESISTOR
⊠	METAL PLATE RESISTOR
⊞	FIRE PROOF CARBON FILM RESISTOR
□	CEMENT MOLDED RESISTOR
⊞	SEMI VARIABLE RESISTOR
■	CHIP RESISTOR

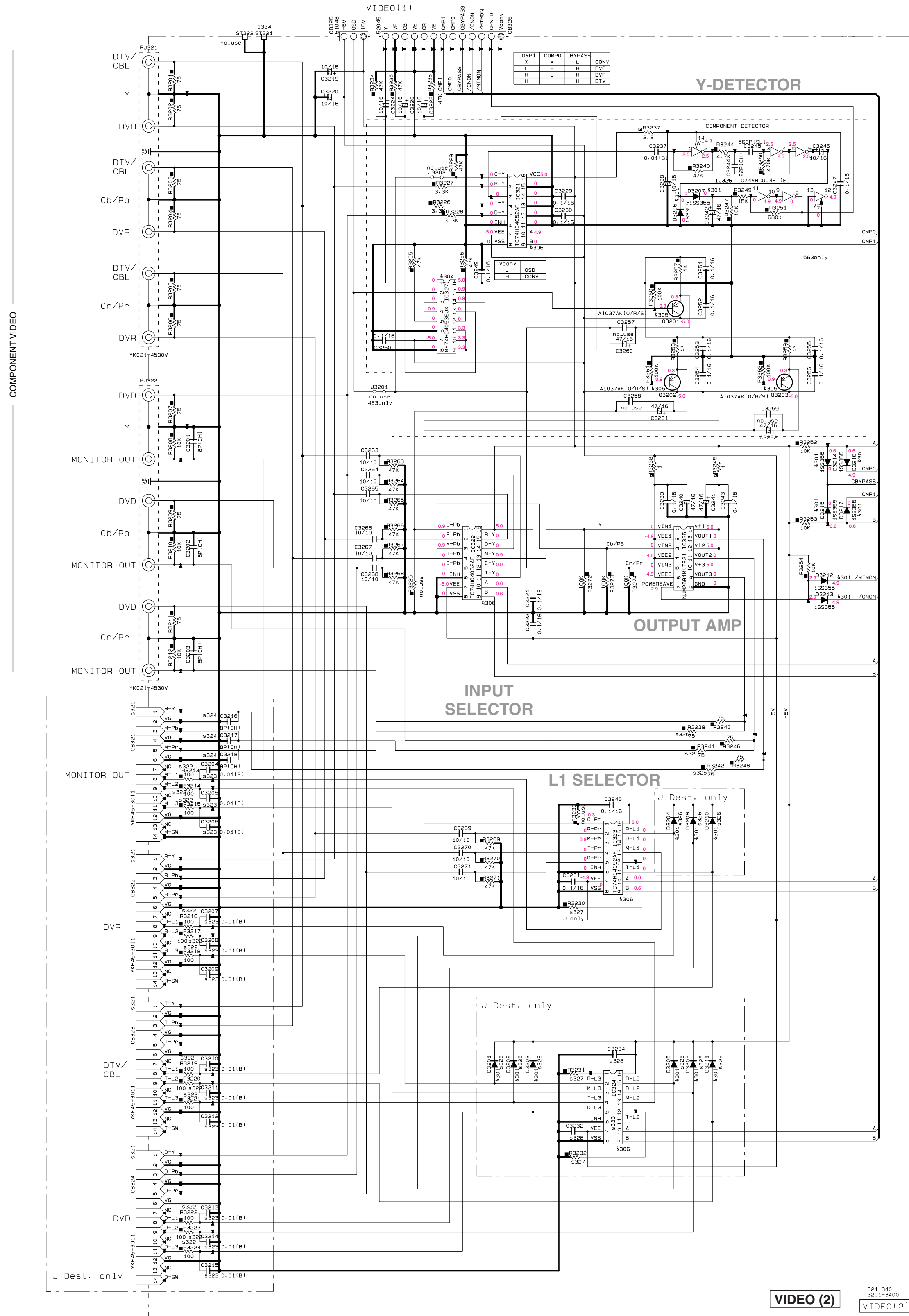
REMARKS	PARTS NAME
NO MARK	ELECTROLYTIC CAPACITOR
⊗	TANTALUM CAPACITOR
NO MARK	CERAMIC CAPACITOR
⊞	CERAMIC TUBULAR CAPACITOR
⊙	POLYESTER FILM CAPACITOR
○	POLYSTYRENE FILM CAPACITOR
⊖	MICA CAPACITOR
⊕	POLYPROPYLENE FILM CAPACITOR
⊗	SEMICONDUCTIVE CERAMIC CAPACITOR



\* All voltages are measured with a 10MΩ/V DC electronic voltmeter.  
 \* Components having special characteristics are marked !, and must be replaced with parts having specifications equal to those originally installed.  
 \* Schematic diagram is subject to change without notice.

VIDEO 2/2

Page 95 [K5] Page 84 [M5] to VIDEO (1)\_CB304 to DSP\_CB22



Page 92 [B5] to OPERATION (2)\_CB700

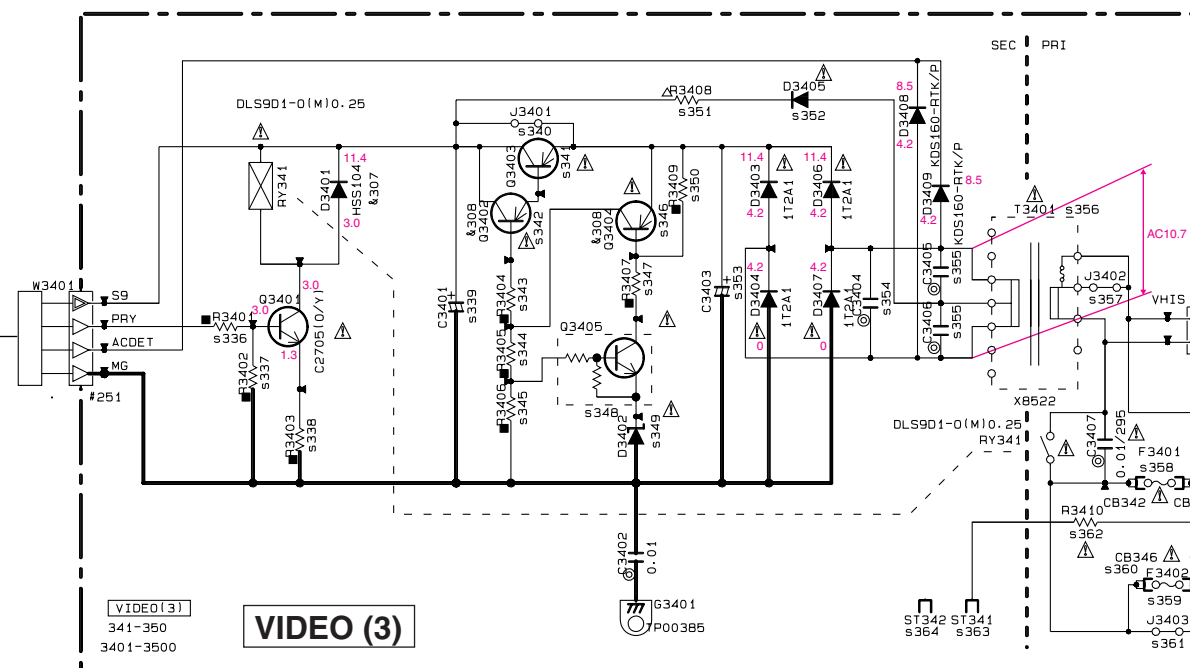


Table with 2 columns: RESISTOR and CAPACITOR. It lists part names, values, and manufacturer codes for various electronic components.

Table with 2 columns: RESISTOR and CAPACITOR. It lists part names, values, and manufacturer codes for various electronic components.

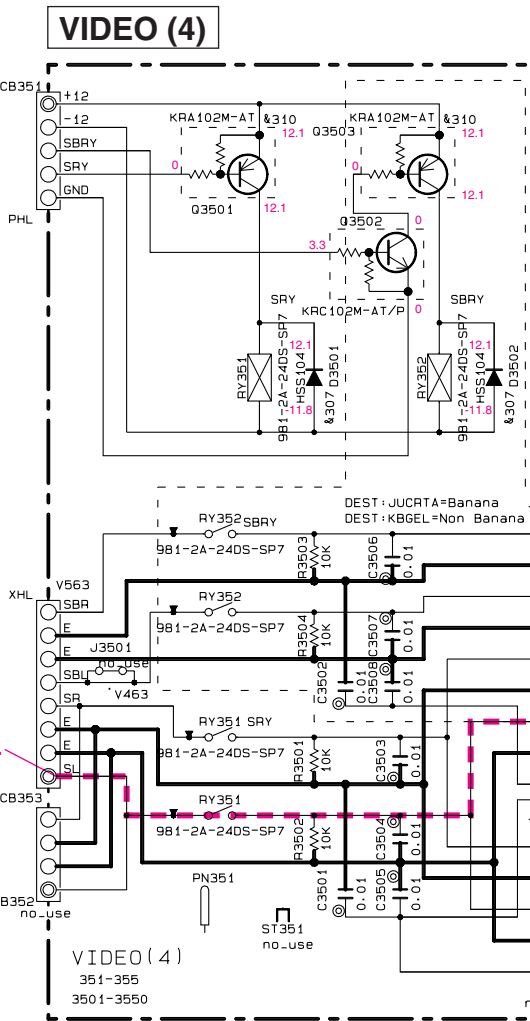
Table with 2 columns: RESISTOR and CAPACITOR. It lists part names, values, and manufacturer codes for various electronic components.

Table with 2 columns: RESISTOR and CAPACITOR. It lists part names, values, and manufacturer codes for various electronic components.

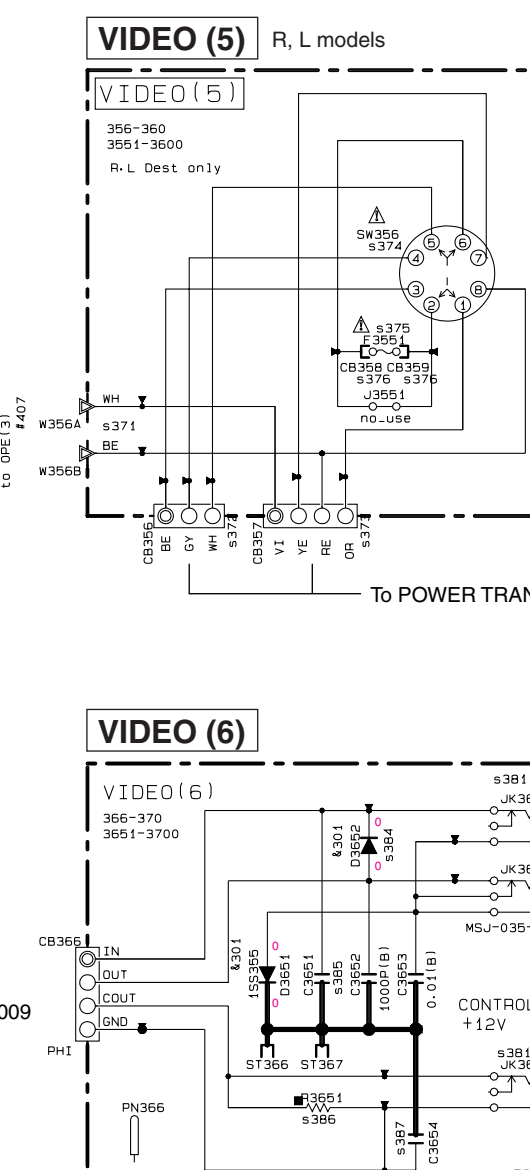
Table with 2 columns: RESISTOR and CAPACITOR. It lists part names, values, and manufacturer codes for various electronic components.

Table with 2 columns: RESISTOR and CAPACITOR. It lists part names, values, and manufacturer codes for various electronic components.

Page 93 [L5] to MAIN\_W502

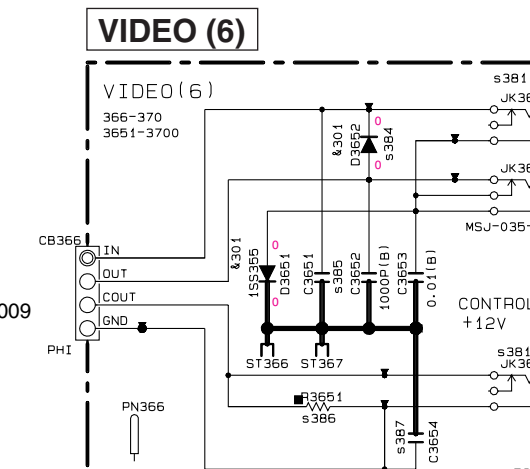


Page 93 [L5] to MAIN\_W503



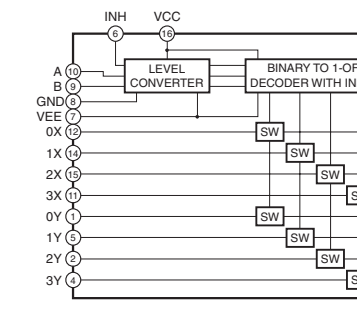
VOLTAGE SELECTOR table with 2 columns: Voltage and Range. It lists voltage settings and their corresponding ranges.

Page 91 [D8] to OPERATION (1)\_W6009

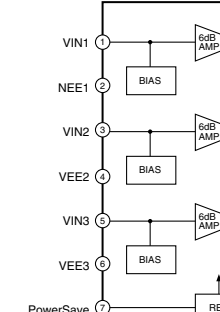


Large table with multiple columns and rows, likely a parts list or component specifications table. It includes various alphanumeric codes and values.

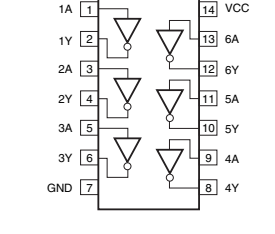
IC321-323: TC74HC4052AF Analog multiplexer/demultiplexer



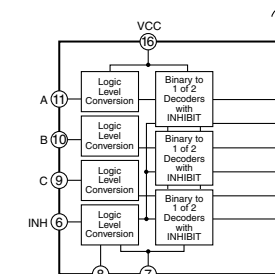
IC325: NJM2581M Video amplifier



IC326: TC74VHC04FT Hex inverters



IC327: MM74HC4053JX Triple 2-channel analog multiplexer



NOTICE (mode1) (J)..... JAPAN (U)..... U.S.A (C)..... CANADA (E)..... GENERAL (T)..... CHINA (K)..... KOREA (A)..... AUSTRALIA (B)..... BRITISH (G)..... EUROPE (L)..... SINGAPORE (E)..... SOUTH EUROPE (Y)..... TAIWAN (F)..... RUSSIAN

\* All voltages are measured with a 10MΩ/V DC electronic voltmeter. \* Components having special characteristics are marked with a triangle and must be replaced with parts having specifications equal to those originally installed. \* Schematic diagram is subject to change without notice.